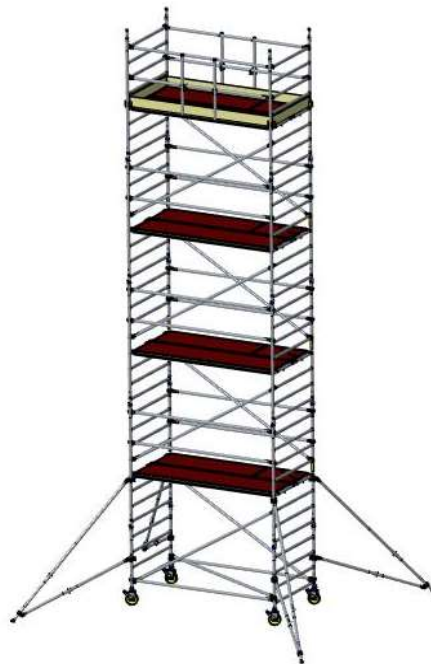


Instruction Manual

**CUSTERS® Mobile Scaffold Tower**  
**Mobile Guard**  
Handy / CR 700 & 1300



Maximum load: 200 kg/m<sup>2</sup>

Maximum platform height: 12 meters inside  
8 meters outside

March 2021

## Contents

1. Introduction .....	3
2. Specifications .....	4
3. Warranty and liability .....	4
4. Marking of mobile scaffold tower components .....	4
5. Inspection upon delivery .....	6
6. Safety instructions .....	6
6.1. Check before assembly .....	6
6.2. Personal protective equipment .....	6
6.3. Assembly .....	6
6.4. Lifting up components .....	10
6.5. Outriggers and stabilizers .....	10
6.6. Mobile guards .....	13
7. Assembling the narrow mobile scaffold tower (2,4,6,8,10,12 m) .....	16
8. Assembling the narrow mobile scaffold tower (3,5,7,9,11 m) .....	22
9. Assembling the wide mobile scaffold tower (2,4,6,8,10,12 m) .....	28
10. Assembling the wide mobile scaffold tower (3,5,7,9,11 m) .....	34
11. Information to be displayed .....	40
12. Safe use of the mobile scaffold tower .....	40
13. Relocating the mobile scaffold tower .....	44
14. Anchoring .....	45
15. Dismantling .....	45
16. Maintenance .....	45
17. Composition tables .....	46

## 1. Introduction

The Custers® mobile scaffold tower is part of a wide range of aluminium scaffold variants.

The Custers® mobile scaffold tower, if assembled according to this manual, complies with the actual standard EN1004-1:2020. Custers Hydraulica B.V. has assessment documentation as well as certificates to proof the conformity of the Custers® mobile scaffold system to the actual standards.

The Custers® mobile scaffold tower is available in the following versions:

- Scaffold length: Handy & CR 1.8 m & 2.5 m; Handy 3,1 m
- Scaffold width: 1.3 m and 0.7 m

This instruction manual is intended to instruct you step by step how to assemble your scaffold easily and safely. Incorrect assembly may result in serious personal injury. Read the safety instructions carefully before assembly. The erection and dismantling should be done by experienced and competent persons only.

This instruction manual shall be available on the location of use of the mobile access and working tower.

This mobile access and working tower shall only be used according to this manual without any modification.

Mobile access and working towers shall only be used in accordance with national regulations

If there are any uncertainties with regard to this manual, please contact your supplier and/or manufacturer.

Manufacturer:

Custers Hydraulica B.V.

Smakterweg 33

5804 AE Venray, The Netherlands

Telephone: +31 (0) 478 553 000

Email: info@custers.nl

Website: www.custers.nl

Supplier:

## 2. Specifications

Standard:	NEN-EN1004-1:2020
Scaffold class:	3
Max. load:	200 kg/m <sup>2</sup>
Max. platform height:	12m
Max. wind load:	6 Beaufort

## 3. Warranty and liability

Custers warrants material and manufacturing defects for 12 months after delivery. The warranty means that we repair faults at our own expense or -at our sole discretion- will take back all or part of the delivered goods and replace them with a new delivery.

If we replace products delivered in fulfilment of our warranty obligation, the replaced products become our property. All costs arising from the aforementioned obligation shall be borne by the commissioning party. If products are provided for processing, repair, etc., a warranty will only be given for the adequacy of the execution of the operations that have been assigned.

Our liability does not apply:

- a. If the faults are the result of improper use or any other causes not involving material or manufacturing defects;
- b. If the cause of the defects cannot be clearly demonstrated;
- c. If all instructions for the use of the products, including the guidelines as indicated in this manual, have not been strictly and completely observed.

The manufacturer's liability does not apply if the buyer, on his own initiative, makes or arranges for changes and/or repairs to the delivered products.

## 4. Marking of mobile scaffold tower components

- each aluminium / plastic /wooden component from the mobile scaffold tower is provided with the Custers' company name and a two-digit code corresponding to the year of production.
- 8-rung frames are always provided with a compulsory waterproof label with details of the scaffolding class and indicative assembly instructions.



## 5. Inspection upon delivery

Upon receipt, check that the tower scaffolding is complete and undamaged. Contact your supplier immediately if you notice that the components of the tower scaffolding are damaged or if the components that have been delivered are incomplete.

## 6. Safety instructions

### 6.1. Check before assembly

Verify whether the personnel assembling the scaffolds are sufficiently qualified and that the place where the tower scaffolding is to be erected is safe and suitable.

Caution:

- The ground must be sufficiently load-bearing and flat;
- The space must be free of obstacles, both on the ground and above ground;
- Verify whether the wind conditions allow safe use of the scaffolding;
- Check to make sure that you have all the components at the workplace;
- Never use damaged, incorrect or non-original components;
- Be aware of possible electrical hazards.

### 6.2. Personal protective equipment

- Always wear work gloves, safety shoes and a safety helmet.

### 6.3. Assembly

The assembly of the mobile scaffold tower must be carried out by at least 2 persons.

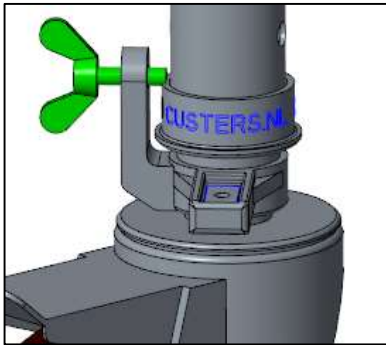
Please note the following:

- a) User training courses cannot be a substitute for instruction manuals but only complement them;
- b) Only the original Custers components specified in this manual shall be used;
- c) Damaged or incorrect components shall not be used;
- d) This product shall only be used according to the instruction manual
- e) Mobile access and working towers designed in accordance with EN1004-1 are not anchor points for personal fall arrest equipment;
- f) Working is only permitted on a platform with a complete side protection including guardrails and toe boards.

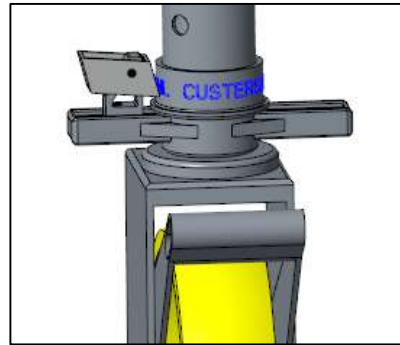
Use leading guardrail frames during the assembly to prevent persons from falling: when you stand on a platform you must be protected by guardrails on hip and knee level on all four sides.

The mobile scaffold tower must be erected flat with a maximum inclination of 1% (a maximum of 1 cm inclination over a length of 1 metre); check this with a spirit level; correction is possible by tightening the spindle nuts of the casters. The casters must always be in locked position, except for relocating the scaffold. Make sure that the casters are locked, either by tightening the wing nut, or by tilting the locking tab over the cantilevered edge of the chord stiffener.

*CR version*



*Handy version*

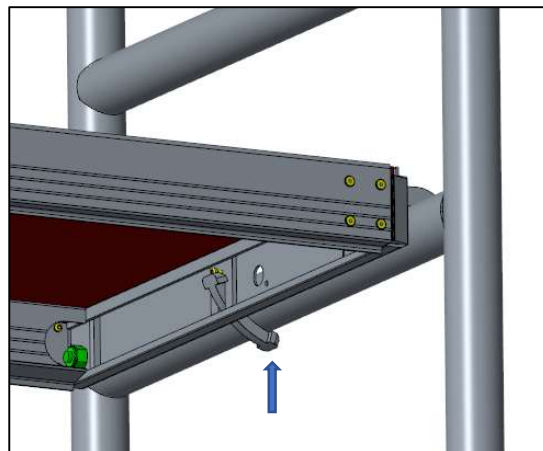


The platforms must be secured by sliding the pawl of the blow-away protection under the rung. The frames must be secured using locking pins in the lowest holes in the uprights in order to fix the spigot pen of the frame underneath.

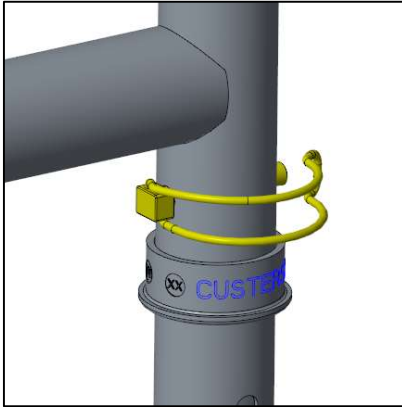
*CR platform*



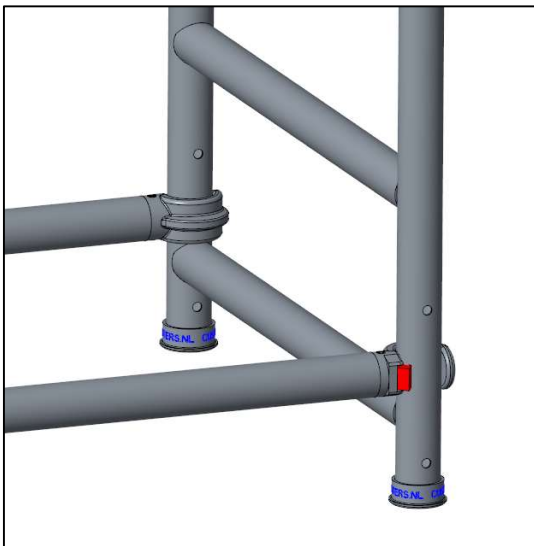
*Handy platform*



*Frame security pin*



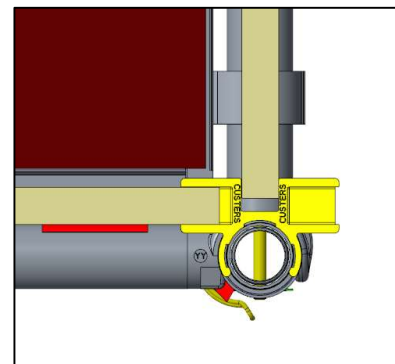
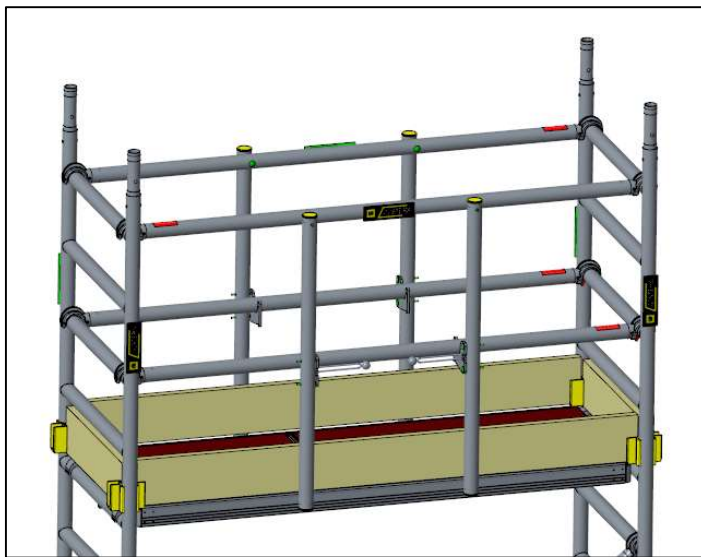
Horizontal braces/guardrails must preferably be positioned on the uprights in such a way that the openings of the claws point outwards.





There must always be at least 1 platform with hatch on the working level; the working level must be fitted with: guardrail, knee railing and toe boards all around. There must always be at least one platform with a hatch on the resting level. The resting level must be fitted all around with guardrails and knee railings and must be installed every 2 metres.

A resting level is converted into a working level through the installation of toe boards all around.

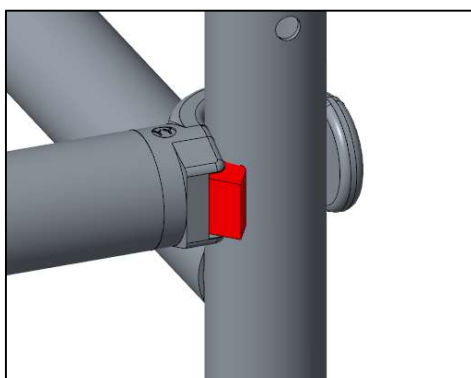


Be aware that one level only shall be a working platform at one time.

It is to be taken into account that the correct platform height in relation to the required work should be selected.

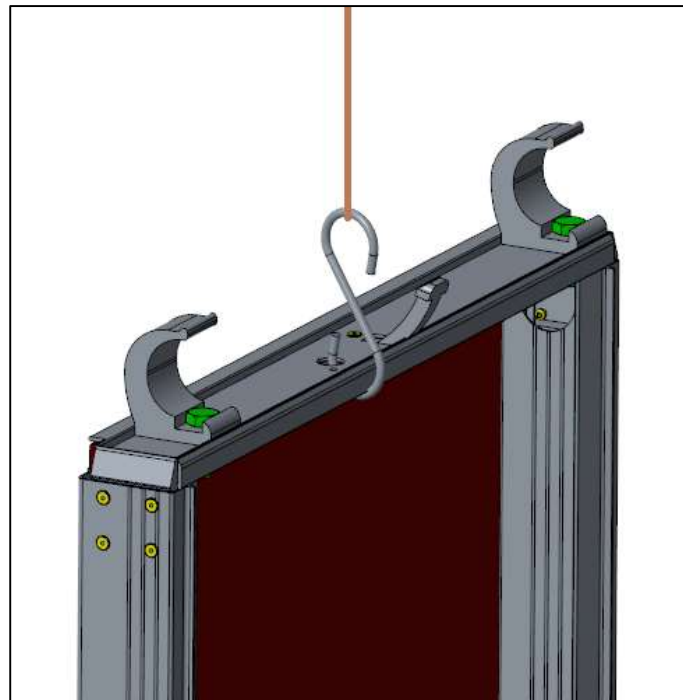
On a working platform a maximum of two persons are permitted.

The horizontal and diagonal braces have a self-locking claw. To unlock, just push the coloured plastic part inwards and the brace can be removed.



#### 6.4. Lifting up components

Lifting up components onto higher areas should be done by passing the components from platform to platform. Parts can also be lifted upwards with a sturdy rope. Use a proper knot, loop or hook to secure the components. Hoisting equipment may not be attached to the scaffold.



#### 6.5. Outriggers and stabilizers

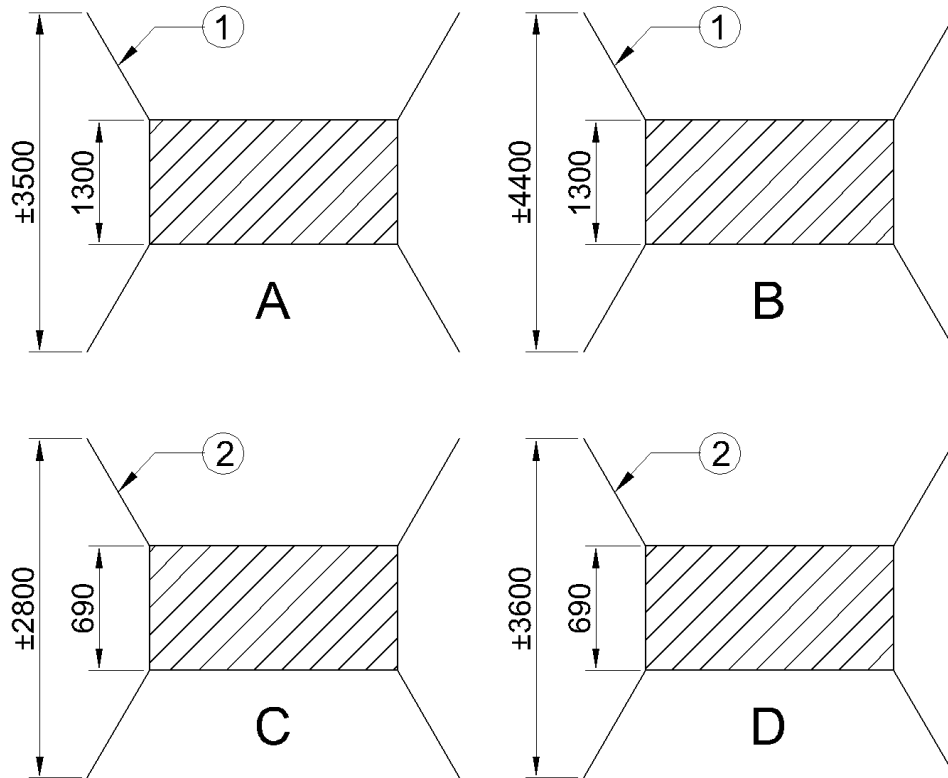
The outriggers (arch shaped stabilizer that allows a castor to be attached) / stabilizers specified in the table must always be fitted once the lower edge of the scaffold has been erected. During assembly, the upper sides of the outriggers / stabilizers must be connected to the underside of the rungs in order to prevent them from sliding upwards unintentionally.

The basic form to be used, i.e. the outrigger to be used (small or large), can be read in the composition tables.

**The basic forms shown below must be strictly adhered to!**

If the designated form is different, ballast weights may be required; please contact the manufacturer/supplier for this. Small outriggers may be replaced by small stabilizers and large outriggers by large stabilizers, provided that the use of stabilizer follows the same basic form as the outriggers. This means that the stabilizers, when viewed from the top, must be mounted in the same position as the outriggers.

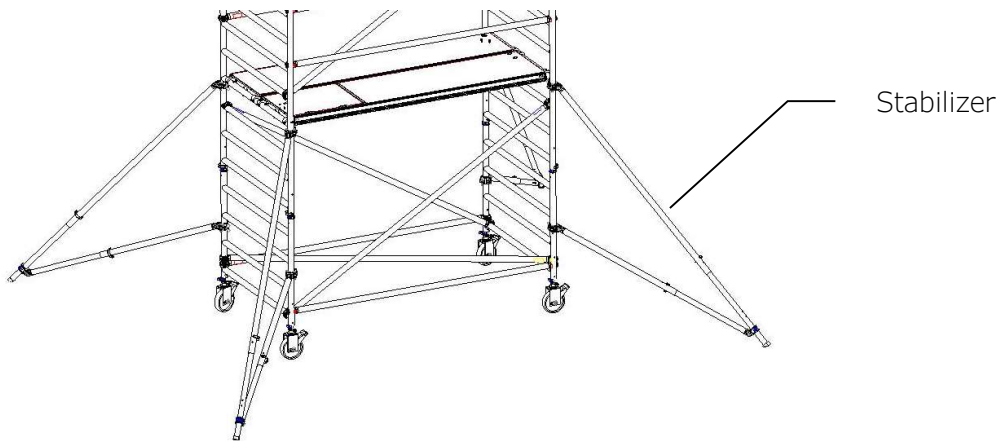
*Positions of stabilizers or outriggers*



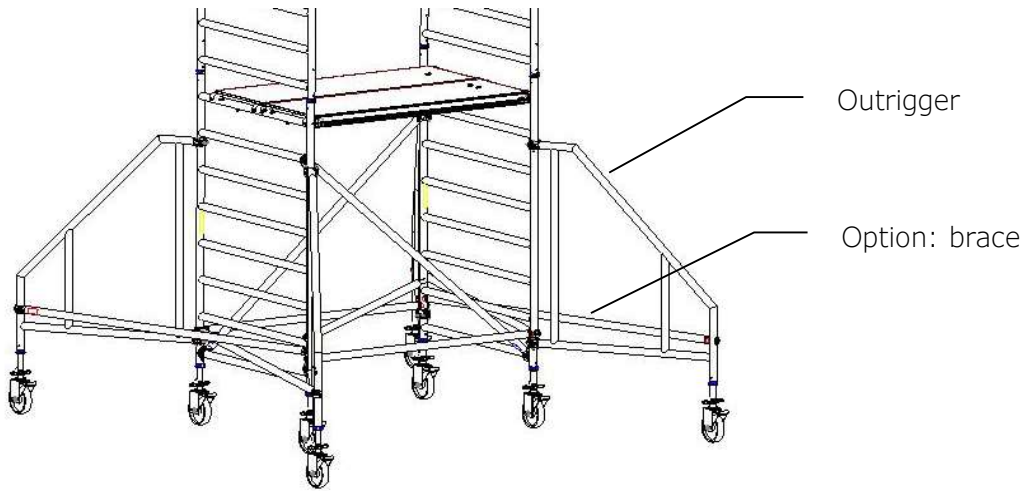
Basic forms

- A: Small outrigger, length 1300 mm
- B: large outrigger, length 2000 mm
- C: Small outrigger, length 1300 mm
- D: large outrigger, length 2000 mm
- 1: Brace, length 2500 mm, art. nr. 9501.200.030(CR)
- 2: Brace, length 1913 mm, art. nr. 9501.200.048(CR)

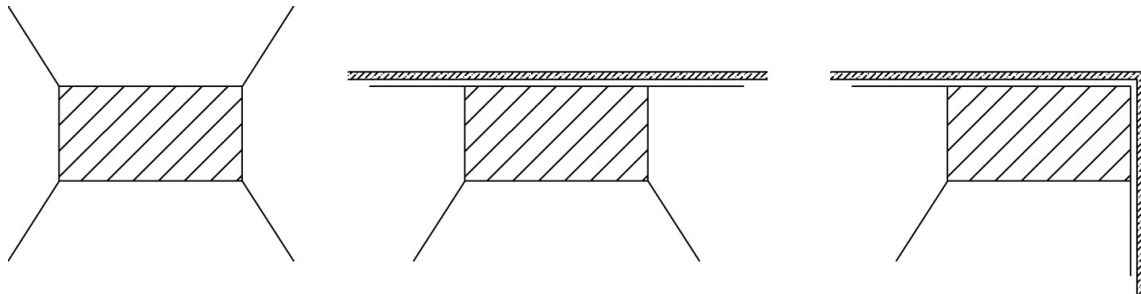
*Mobile scaffold tower with stabilizers*



*Mobile scaffold tower with outriggers*



*Positions of stabilizers or outriggers*



If the mobile scaffold tower is placed against a wall, do not remove the outrigger / stabilizer, but turn it parallel to the wall. If the mobile scaffold tower is placed at an angle, remove the inner outrigger / stabilizer, and turn the outer two parallel to the wall.

## 6.6. Mobile guards

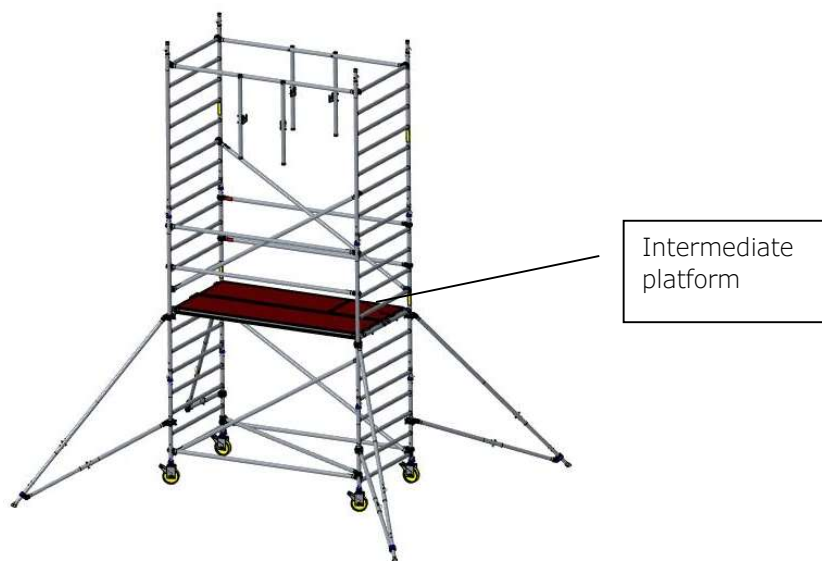
In order to prevent falls during assembly and dismantling of the mobile scaffold tower, leading guardrails or guardrail frames must be used. The basic principle here is that the edge protection, consisting of at least one guardrail on hip and knee level, is fitted before entering and standing on the platform.

Custers Mobile Guard leading guardrail frames:

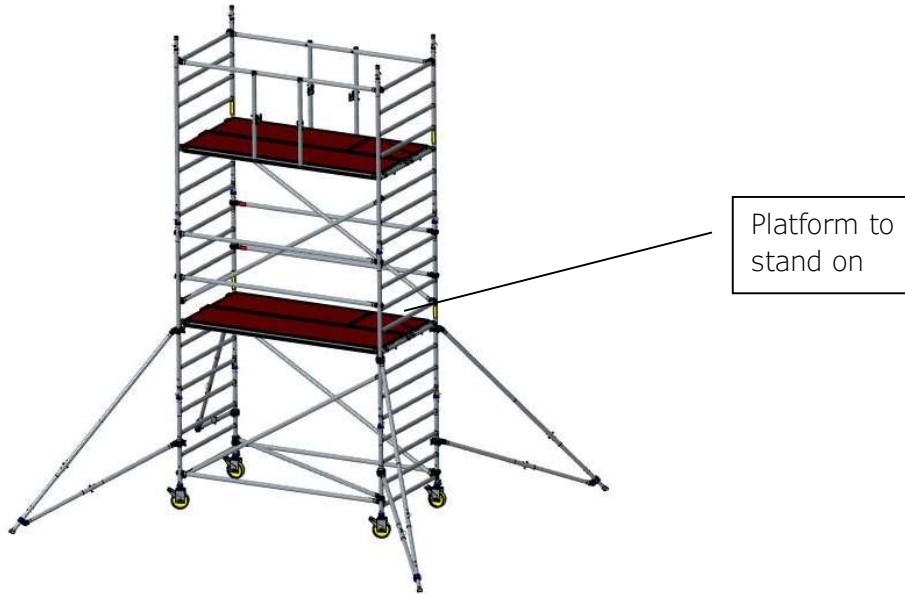
- are moving along with you during assembly and disassembly of the scaffolding from the one to the other level;
- offer protection until the moment the definite guardrails are positioned;
- provide protection against falling, before entering the platform through the hatch;
- are fitted and removed from a secure place;
- are easy to handle and easy to apply;
- on the working platform they can be used as permanent guardrails if combined with correctly positioned knee rails.



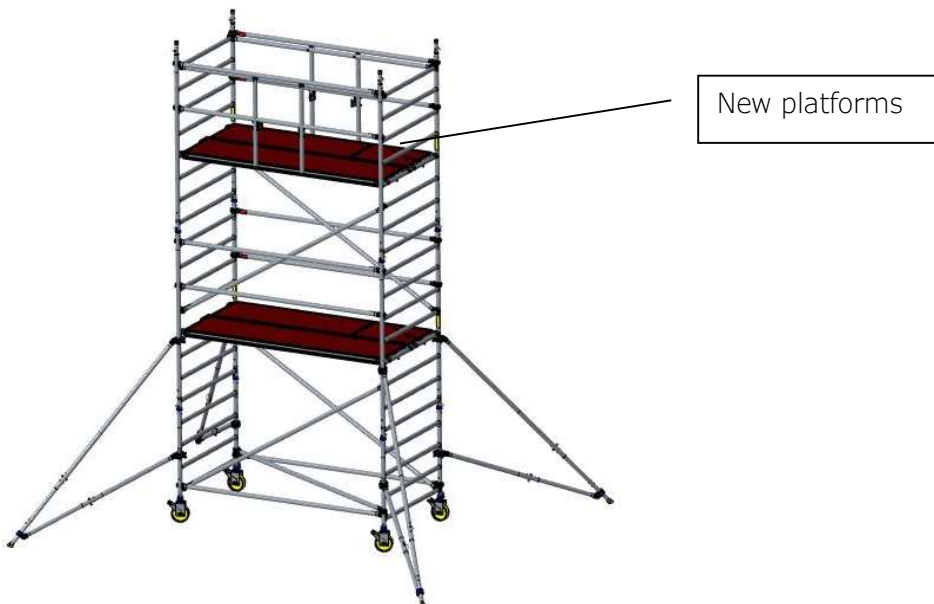
During the assembly phase of the mobile scaffold tower, the Mobile Guard guardrail frames must be used as follows (complete assembly sequence, see relevant sections):



Mount both Mobile Guards (with the claws over the upper rungs) standing on the intermediate platform; make sure that the claws fall properly over the rungs

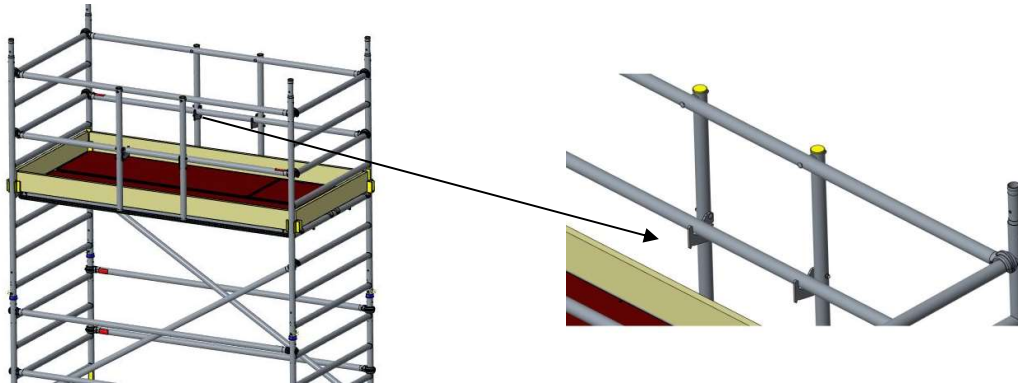


Mount the platform without hatch & the platform with hatch from the intermediate platform



Climb up, open the hatch and sit down in this opening so that you can mount the knee rails on the second rung above floor level. Get on the floor and make some space between Mobile Guard + knee rail and the uprights of the frame, than mount 4 horizontal braces on the uprights above the second and fourth rung. The temporary Mobile Guard can be used again for the next section of the scaffold until the needed platform height has been reached.

On the upper level the Mobile Guard is used as a permanent guardrail by adding a knee rail in the hooked in on the vertical arms of the Mobile Guard and mounted on the second rungs.

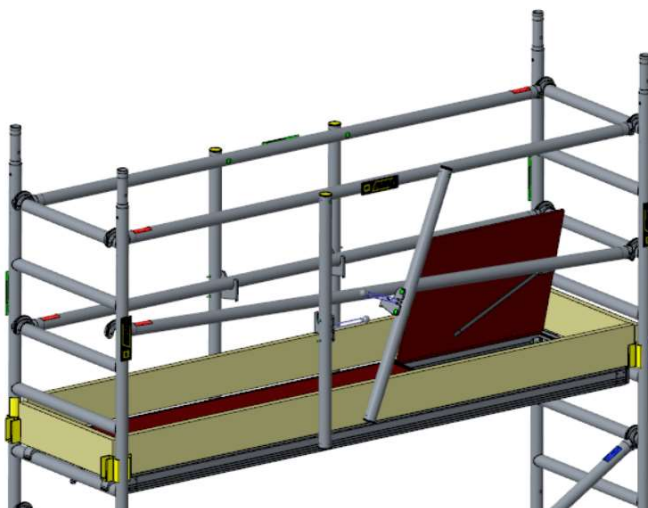


During disassembly of the scaffolding above mentioned has to be done in reversed order.

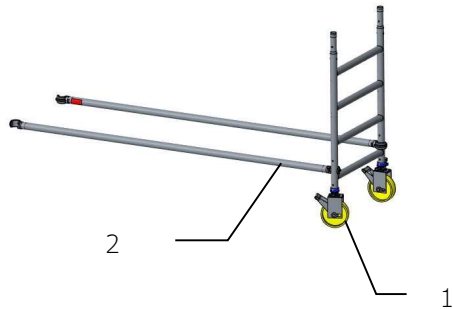
**ATTENTION:**

When you disassemble the knee rail can be taken out whilst sitting in the open hatch as follows:

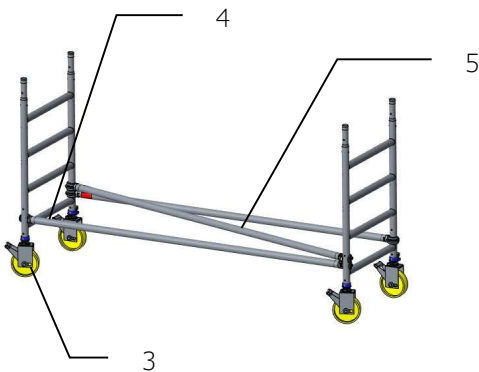
- 1 (if needed) remount Mobile Guards with knee rails on the second rung
- 2 unlock the braces at the longest distance from the hatch and lift them slightly by rotating the closest vertical tube with hook in the direction of the hatch side of the platform, the hook lifts and supports the horizontal guardrail
- 3 sit down in the opened hatch and unlock and take out the knee rails



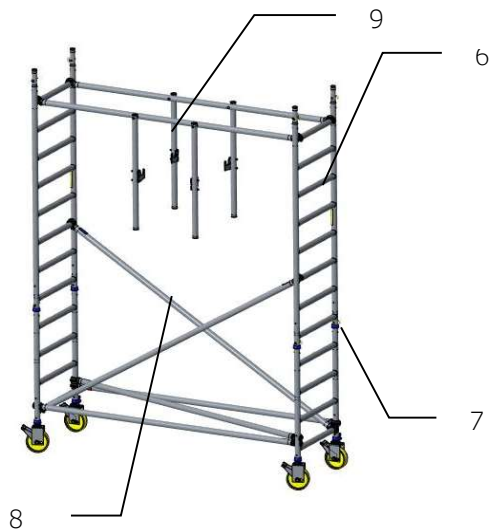
## 7. Assembling the narrow mobile scaffold tower (2,4,6,8,10,12 m)



- 1: Insert both casters into the 4-rung frame; and make sure that the casters are properly secured;
- 2: Place the horizontal braces on the uprights of the frame;

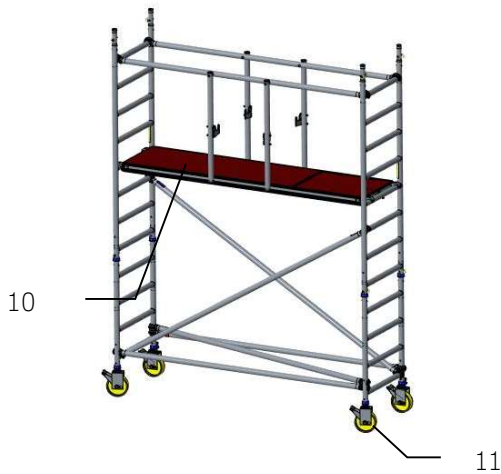


- 3: Insert both casters into the 4-rung frame; and make sure that the casters are properly secured;
- 4: Place the horizontal braces on the uprights of the frame
- 5: Place the horizontal/diagonal brace on the uprights of the frame;



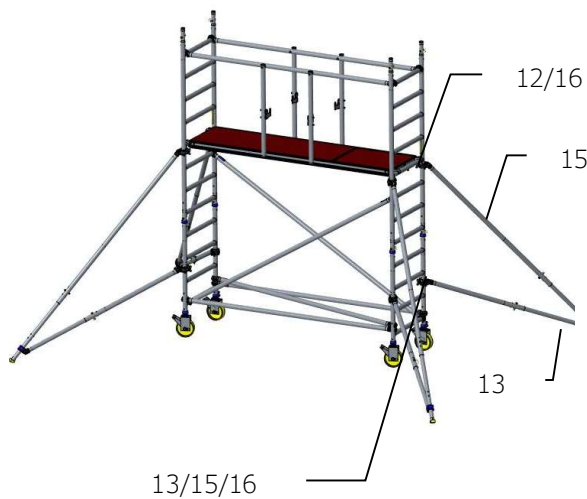
- 6: Place both 8-rung frames;
- 7: Place locking pins between the frames themselves;
- 8: Place both diagonal braces;
- 9: Place both Mobile Guards on the upper rung;



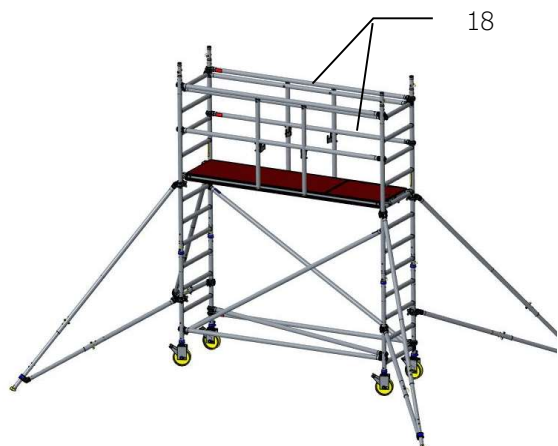


- 10: Place one platform with hatch (on the 5<sup>th</sup> rung from the top, slide both blow-away protections under the rung;
- 11: Lock the brakes and set the scaffold level by twisting the spindle nut of the casters;

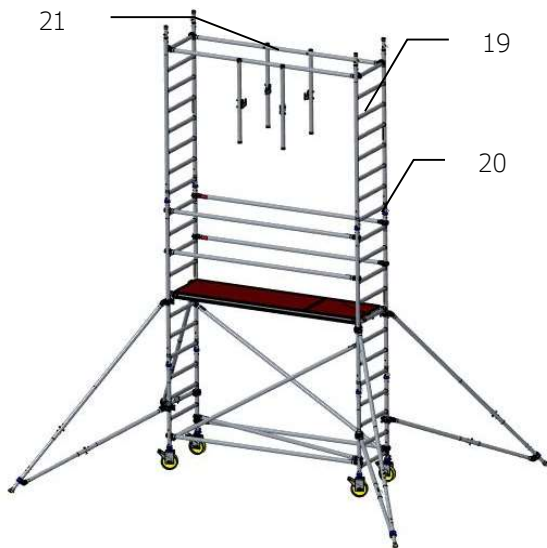
*Now place the four (large or small) stabilizers:*



- 12: Place the upper coupler under the 6<sup>th</sup> or 7<sup>th</sup> rung at the small leg, 9<sup>th</sup> or 10<sup>th</sup> rung at the large leg;
- 13: Put the foot on the ground with observance of the designated basic form (see 4.4);
- 14: Make sure that the lower coupler falls between two rungs;
- 15: Rotate the stabilizer in such a way that the designated basic form (see 4.4) is maintained;
- 16: Tighten the lower coupler by hand on the upright and slide the coupler upwards over the upright so that the leg is slightly tensioned and slightly tighten both couplers;



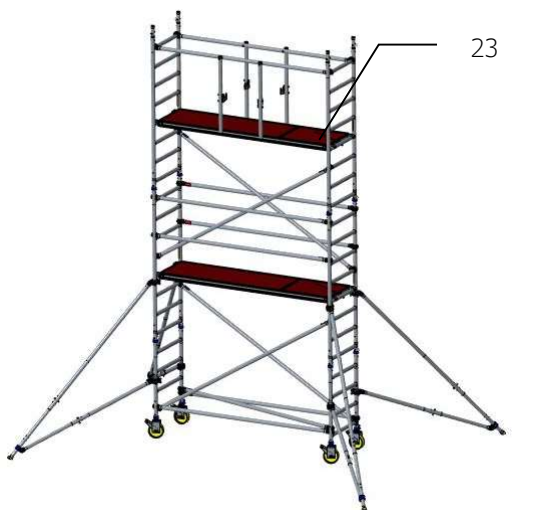
- 17: Climb to the 2 m. level through the hatch; sit down in the hatch and mount two knee rails on the 2<sup>nd</sup> rung and in the hooks of the Mobile Guardrails and move them slightly inwards.
- 18: Now you are allowed to stand on the platform where you put horizontal braces on the uprights just above the 2<sup>nd</sup> and 4<sup>th</sup> rung.



- 19: Place both 8-rung frames;
- 20: Place locking pins between the frames themselves;
- 21: Move the two Mobile Guards frames to the upper rung;



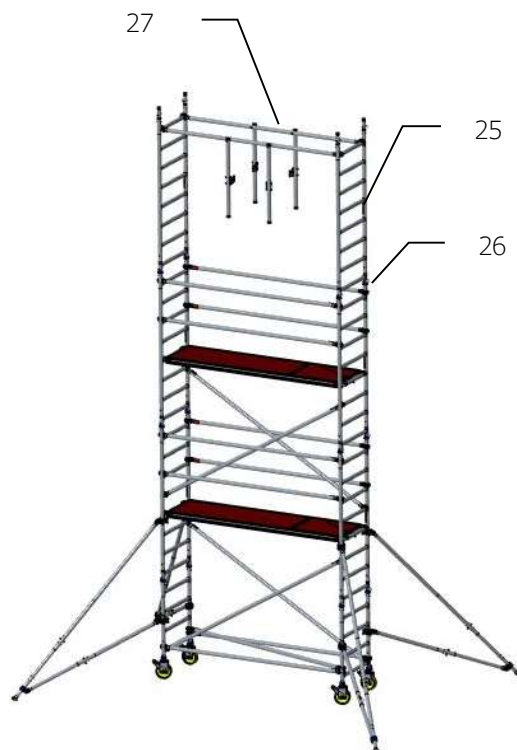
- 22: place 2 diagonals



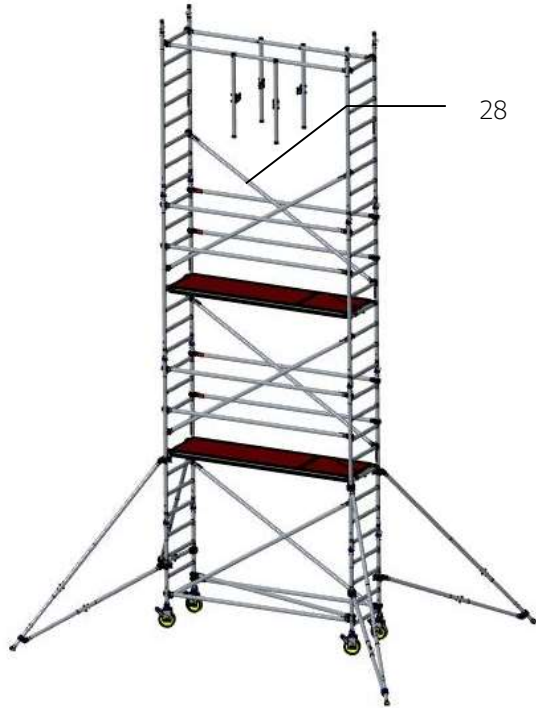
- 23: Place the platform with hatch (on the 5<sup>th</sup> rung from the top), Slide both blow-away protections under the rung.



24: Climb to the next level through the hatch; sit down in the hatch and mount two knee rails on the 2<sup>nd</sup> rung and in the hooks of the Mobile Guardrails and move them slightly inwards. Now you are allowed to stand on the platform where you put horizontal braces on the uprights just above the 2<sup>nd</sup> and 4<sup>th</sup> rung.



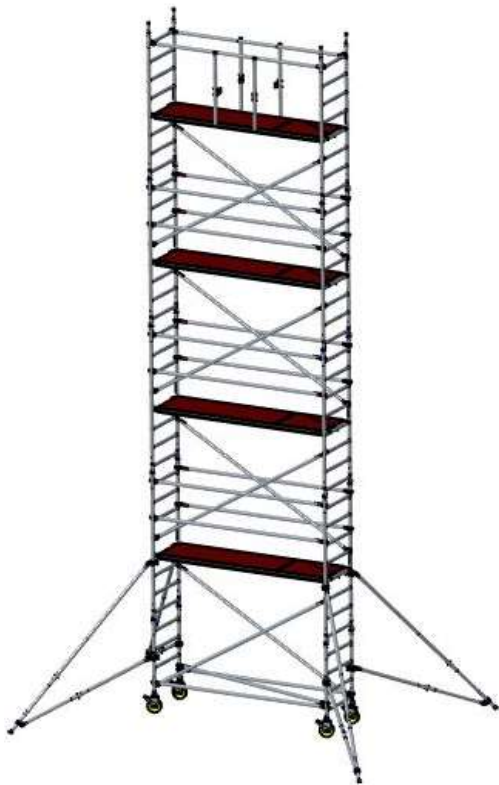
25: Place both 8-rung frames;  
 26: Place locking pins between the frames themselves;  
 27: Move the two Mobile Guards frames to the upper rung;



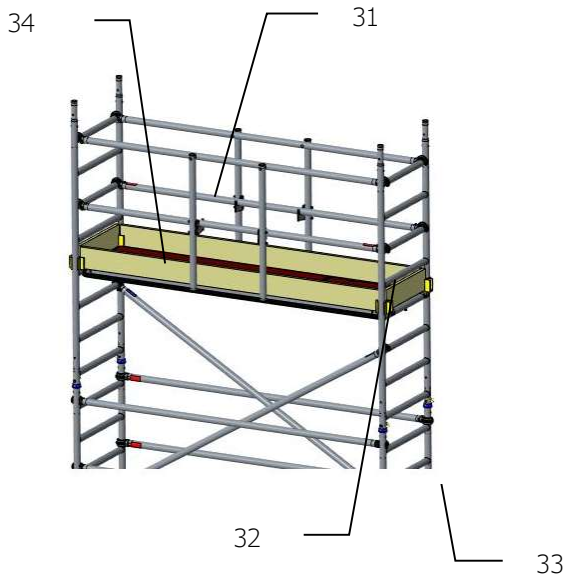
28: Place 2 diagonals



29: Place the platform with hatch (on the 5<sup>th</sup> rung from the top), Slide both blow-away protections under the rung.



30: Repeat steps 25 - 29 until the preferred level has been reached;



31: Climb to the next level through the hatch; sit down in the hatch and mount two knee rails on the 2<sup>nd</sup> rung and in the hooks of the Mobile Guardrails for permanent use. Now you are allowed to stand on the platforms.

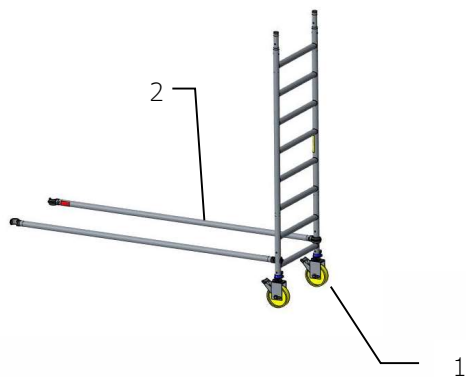
32: Place the four toe board brackets;

33: Place both end toe boards;

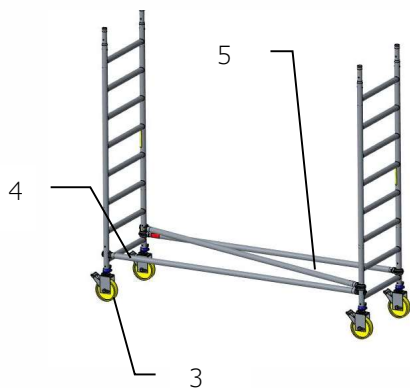
34: Place both longitudinal toe boards;

The above shows the assembly of the freestanding mobile scaffold tower. If the mobile scaffold tower is placed against the façade (with a distance between façade and platform not greater than 15 cm), the edge protection (guardrail at hip height, knee railing and toe board) on the façade side may be omitted.

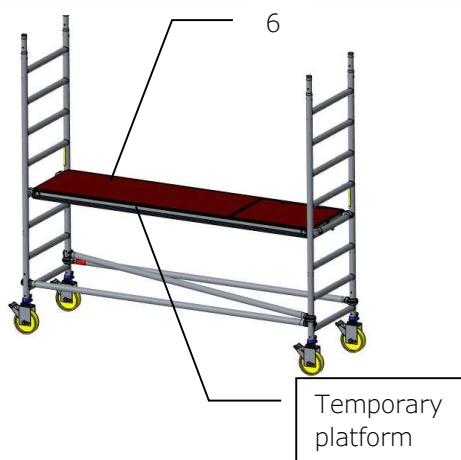
## 8. Assembling the narrow mobile scaffold tower (3,5,7,9,11 m)



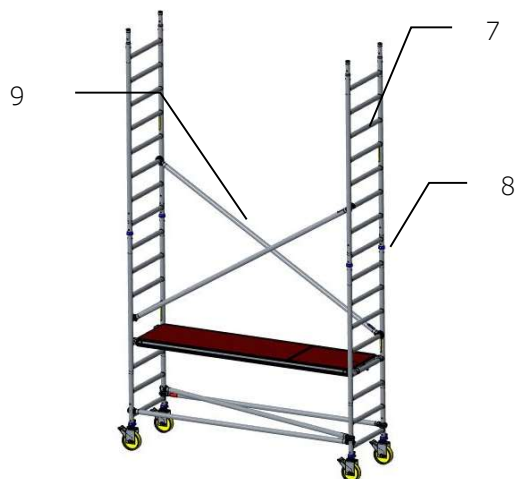
- 1: Insert both casters into the 8-rung frame; and make sure that the casters are properly secured;
- 2: Place the horizontal braces on the uprights of the frame;



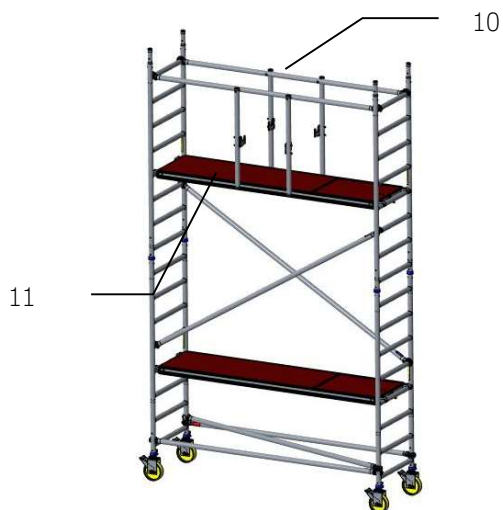
- 3: Insert both casters into the 8-rung frame; and make sure that the casters are properly secured;
- 4: Place the horizontal braces on the uprights of the frame;
- 5: Place the horizontal/diagonal brace on the uprights of the frame;



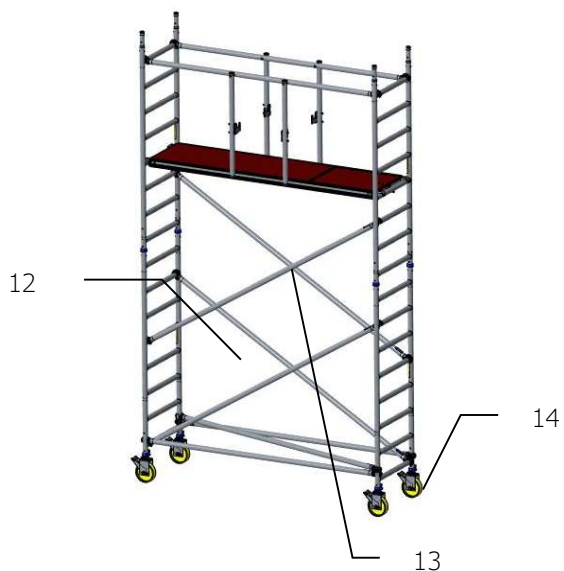
- 6: Place the (temporary) platform (on the 5<sup>th</sup> rung from the top); slide both blow-away protections under the rung;



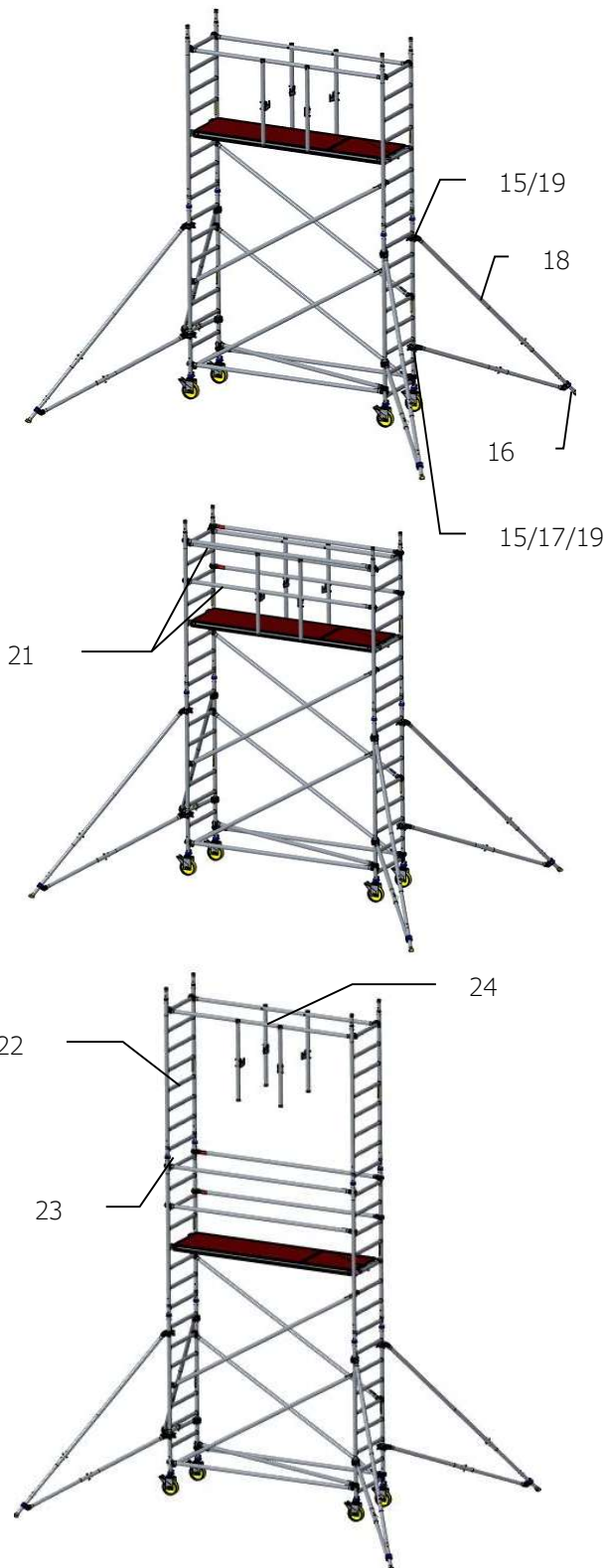
- 7: Place both 8-rung frames;
- 8: Place locking pins between the frames themselves;
- 9: Place both diagonal braces;



- 10: Place both Mobile Guard guardrail frames on the upper rung;
- 11: Place the platform with hatch (on the 5<sup>th</sup> rung from the top) and slide both blow-away protections under the rung;



- 12: Remove the temporary platform
- 13: Place 2 diagonals
- 14: Lock the brakes and set the scaffold level by twisting the spindle nut of the casters;



Now place the four (large or small) stabilizers:

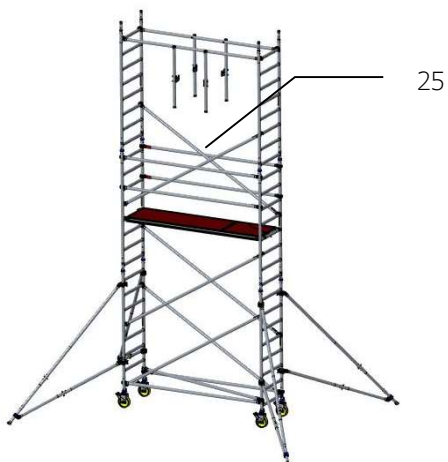
- 15: Place the upper coupler under the 6<sup>th</sup> or 7<sup>th</sup> rung at the small leg, 9<sup>th</sup> or 10<sup>th</sup> rung at the large leg;
- 16: Put the foot on the ground with observance of the designated basic form (see 4.4);
- 17: Make sure that the lower coupler falls between two rungs;
- 18: Rotate the stabilizer in such a way that the designated basic form (see 4.4) is maintained;
- 19: Tighten the lower coupler by hand on the upright and slide the coupler upwards over the upright so that the leg is slightly tensioned and slightly tighten both couplers;

- 20: Climb to the 3 m. level through the hatch; sit down in the hatch and mount two knee rails on the 2<sup>nd</sup> rung and in the hooks of the Mobile Guardrails and move them slightly inwards.

- 21: Now you are allowed to stand on the platform where you put horizontal braces on the uprights just above the 2<sup>nd</sup> and 4<sup>th</sup> rung.

- 22: Place both 8-rung frames;
- 23: Place locking pins between the frames themselves;
- 24: Move the two Mobile Guards frames to the upper rung;





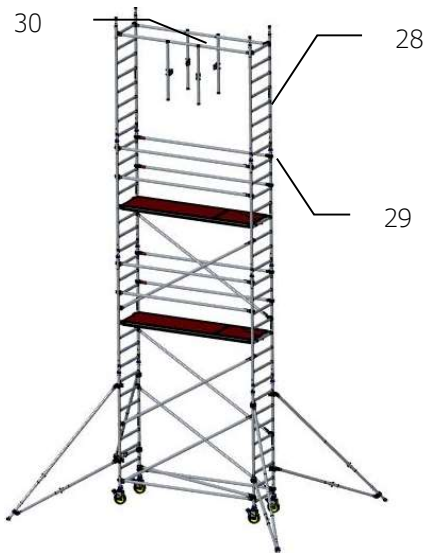
25: Place 2 diagonals



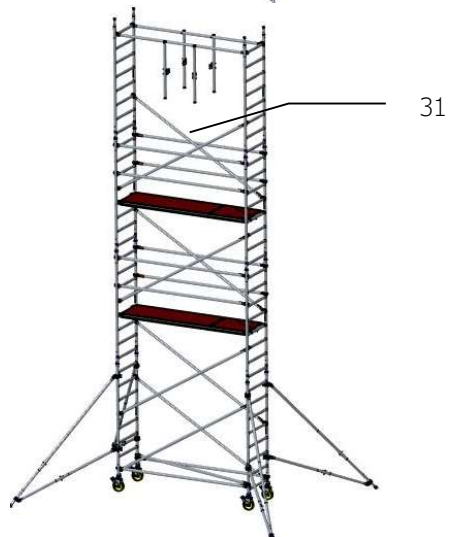
26: Place the platform with hatch (on the 5<sup>th</sup> rung from the top), Slide both blow-away protections under the rung.



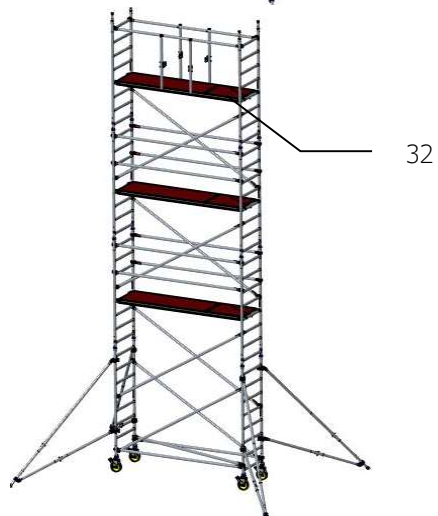
27: Climb to the next level through the hatch; sit down in the hatch and mount two knee rails on the 2<sup>nd</sup> rung and in the hooks of the Mobile Guardrails and move them slightly inwards. Now you are allowed to stand on the platform where you put horizontal braces on the uprights just above the 2<sup>nd</sup> and 4<sup>th</sup> rung.



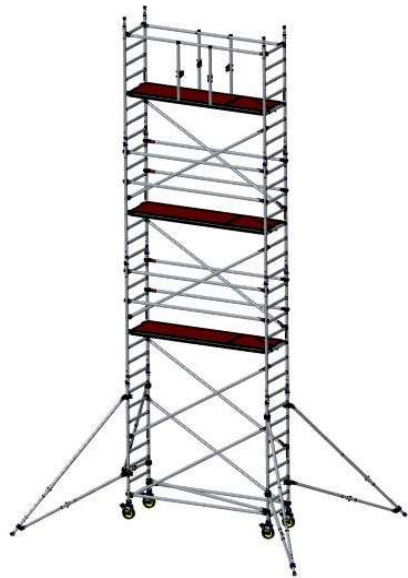
- 28: Place both 8-rung frames;
- 29: Place locking pins between the frames themselves;
- 30: Move the two Mobile Guards frames to the upper rung;



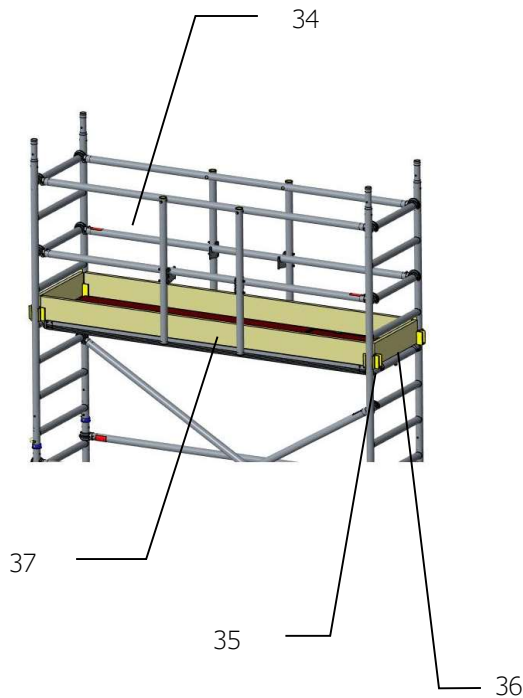
- 31: Place 2 diagonals



- 32: Place the platform with hatch (on the 5<sup>th</sup> rung from the top), Slide both blow-away protections under the rung.



33: Repeat steps 27 - 32 until the preferred level has been reached;



34: Climb to the next level through the hatch; sit down in the hatch and mount two knee rails on the 2<sup>nd</sup> rung and in the hooks of the Mobile Guardrails for permanent use. Now you are allowed to stand on the platforms.

35: Place the four toe board brackets;

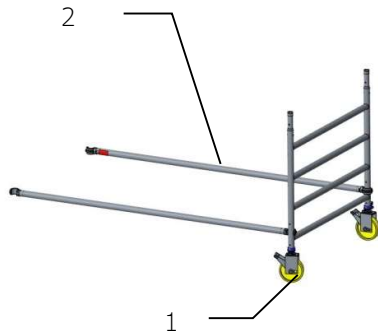
36: Place both end toe boards;

37: Place both longitudinal toe boards;

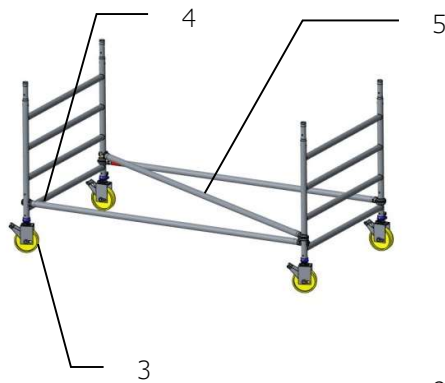
The above shows the assembly of the freestanding mobile scaffold tower. If the mobile scaffold tower is placed against the façade (with a distance between façade and platform not greater than 15 cm), the edge protection (guardrail at hip height, knee railing and toe board) on the façade side may be omitted.

Attention: when building up a 3 m platform height scaffolding, it is practical to add an extra temporary platform to the assembly.

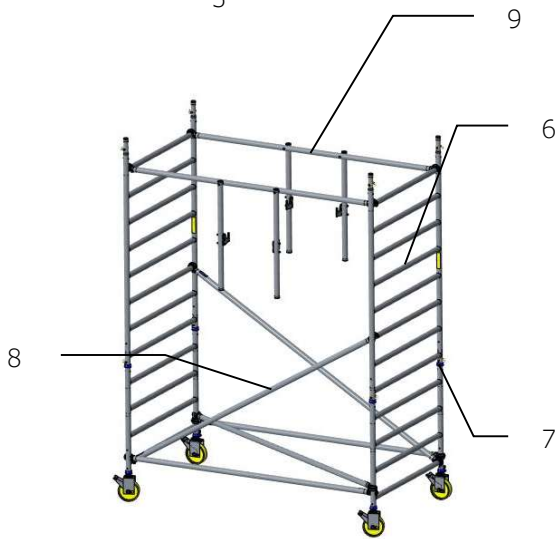
## 9. Assembling the wide mobile scaffold tower (2,4,6,8,10,12 m)



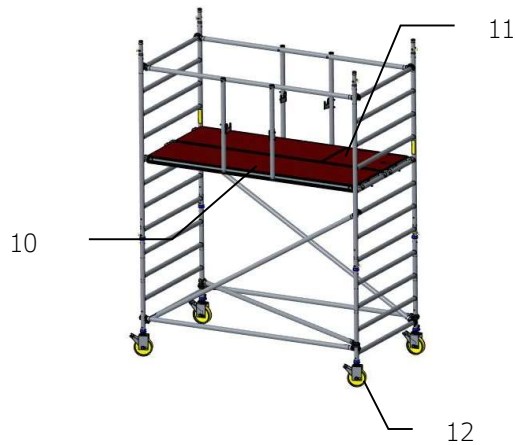
- 1: Insert both casters into the 4-rung frame; and make sure that the casters are properly secured;
- 2: Place the horizontal braces on the uprights of the frame;



- 3: Insert both casters into the 4-rung frame; and make sure that the casters are properly secured;
- 4: Place the horizontal braces on the uprights of the frame
- 5: Place the horizontal/diagonal brace on the uprights of the frame;



- 6: Place both 8-rung frames;
- 7: Place locking pins between the frames themselves;
- 8: Place both diagonal braces;
- 9: Place both Mobile Guards on the upper rung

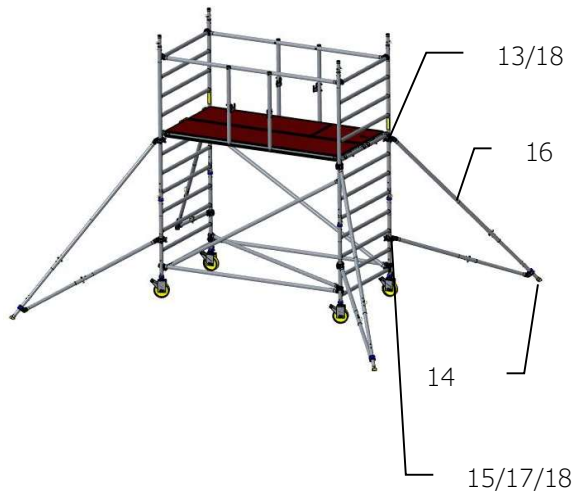


: Place one platform with hatch (on the 5<sup>th</sup> rung from the top) on the façade side and the other platform without hatch on the other side

11: Slide both blow-away protections under the rung;

12: Lock the brakes and set the scaffold level by twisting the spindle nut of the casters;

*Now place the four (large or small) stabilizers:*



13: Place the upper coupler under the 6<sup>th</sup> or 7<sup>th</sup> rung at the small leg, 9<sup>th</sup> or 10<sup>th</sup> rung at the large leg;

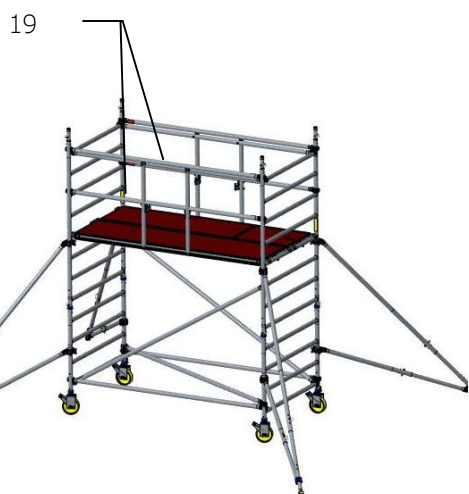
14: Put the foot on the ground with observance of the designated basic form (see 4.4);

15: Make sure that the lower coupler falls between two rungs;

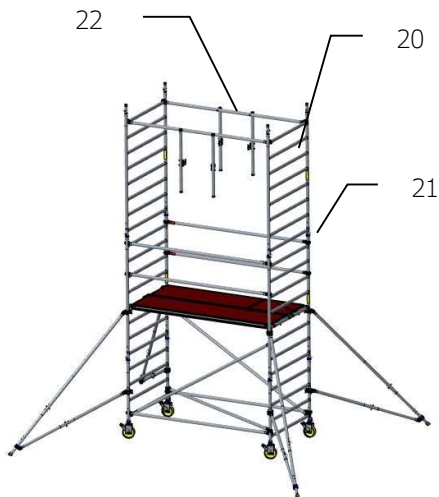
16: Rotate the stabilizer in such a way that the designated basic form (see 4.4) is maintained;

17: Tighten the lower coupler by hand on the upright and slide the coupler upwards over the upright so that the leg is slightly tensioned and slightly tighten both couplers;

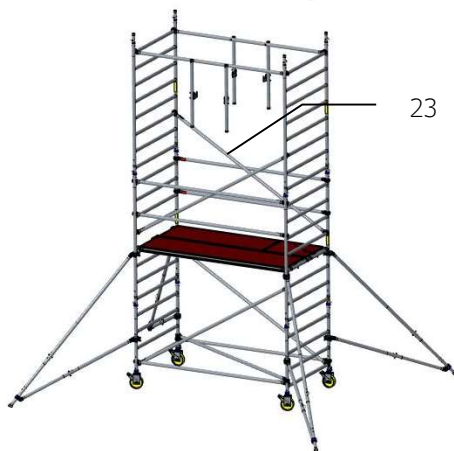
18: Climb to the next level through the hatch; sit down in the open hatch;



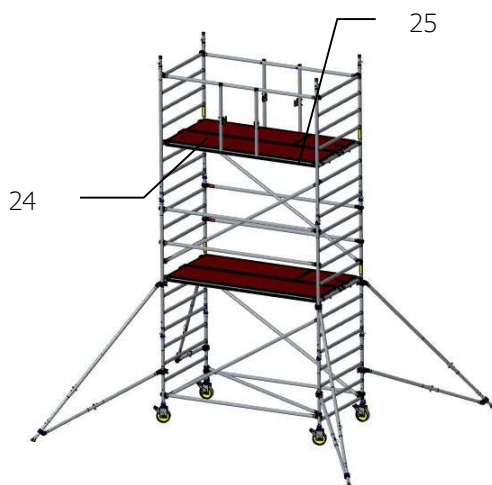
19: mount two knee rails on the 2<sup>nd</sup> rung and in the hooks of the Mobile Guardrails and move them slightly inwards. Now you are allowed to stand on the platform where you put horizontal braces on the uprights just above the 2<sup>nd</sup> and 4<sup>th</sup> rung.



- 20: Place both 8-rung frames;
- 21: Place locking pins between the frames themselves;
- 22: Move the two Mobile Guards frames to the upper rung;



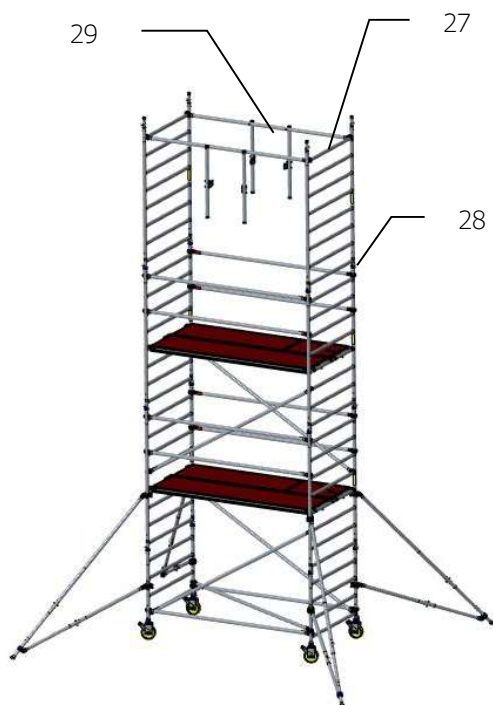
- 23: place two diagonals;



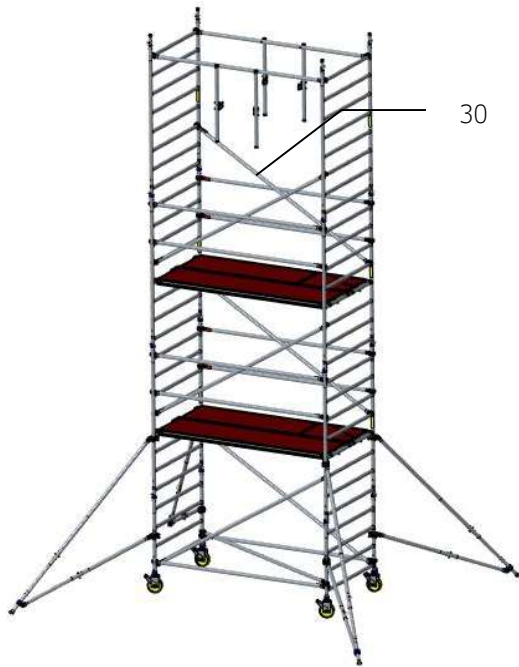
- 24: Place the platforms of which one with hatch (on the 5<sup>th</sup> rung from the top);
- 25: Slide both blow-away protections under the rung.



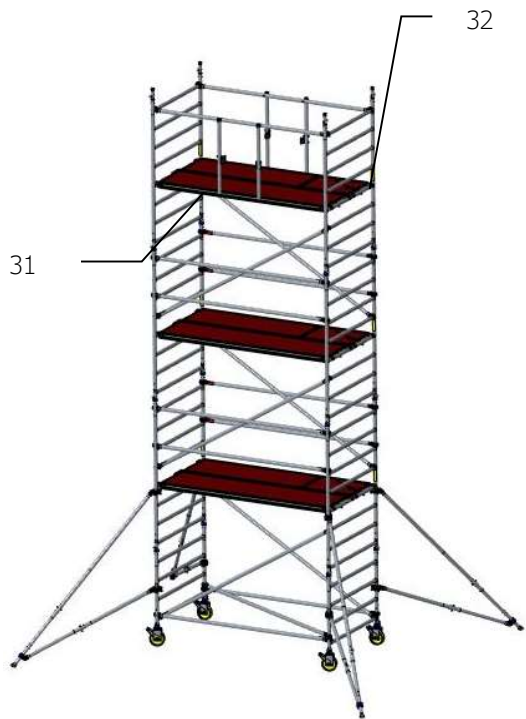
Climb to the next level through the hatch; sit down in the hatch and mount two knee rails on the 2<sup>nd</sup> rung and in the hooks of the Mobile Guardrails and move them slightly inwards. Now you are allowed to stand on the platform where you put horizontal braces on the uprights just above the 2<sup>nd</sup> and 4<sup>th</sup> rung.



- 27: Place both 8-rung frames;
- 28: Place locking pins between the frames themselves;
- 29: Move the two Mobile Guards frames to the upper rung;



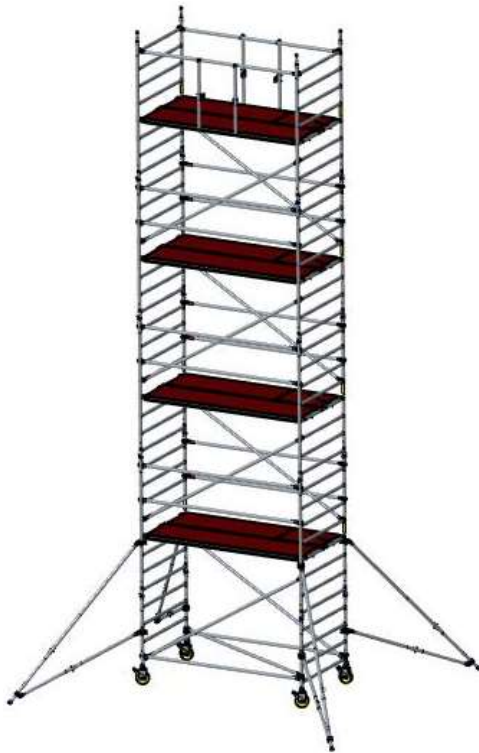
30: place two diagonals;



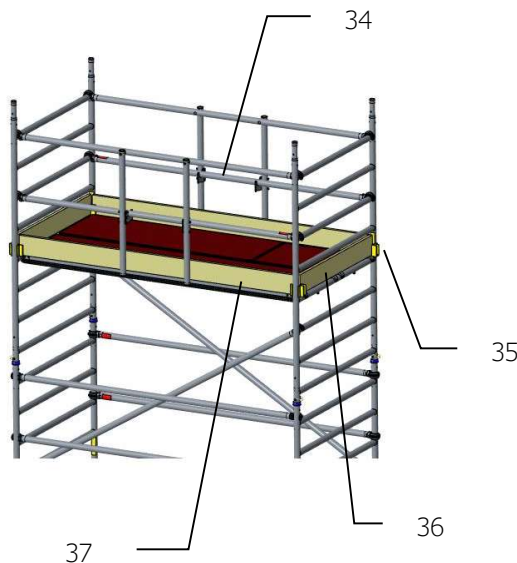
31: Place the platforms of which one with hatch (on the 5<sup>th</sup> rung from the top);

32: Slide both blow-away protections under the rung.





33: Repeat steps 27 - 32 until the preferred level has been reached;



34: Climb to the next level through the hatch; sit down in the hatch and mount two knee rails on the 2<sup>nd</sup> rung and in the hooks of the Mobile Guardrails for permanent use. Now you are allowed to stand on the platforms.

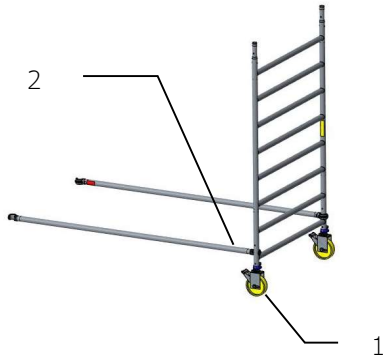
35: Place the four toe board brackets;

36: Place both end toe boards;

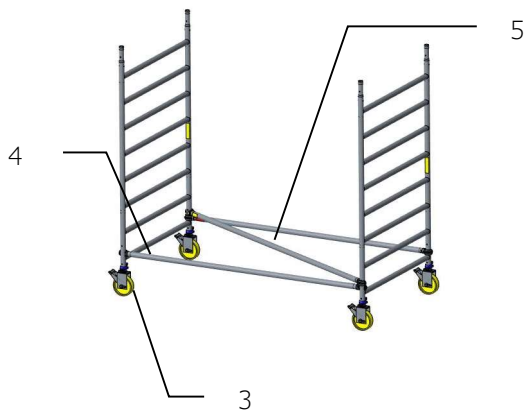
37: Place both longitudinal toe boards;

The above shows the assembly of the freestanding mobile scaffold tower. If the mobile scaffold tower is placed against the façade (with a distance between façade and platform not greater than 15 cm), the edge protection (guardrail at hip height, knee railing and toe board) on the façade side may be omitted.

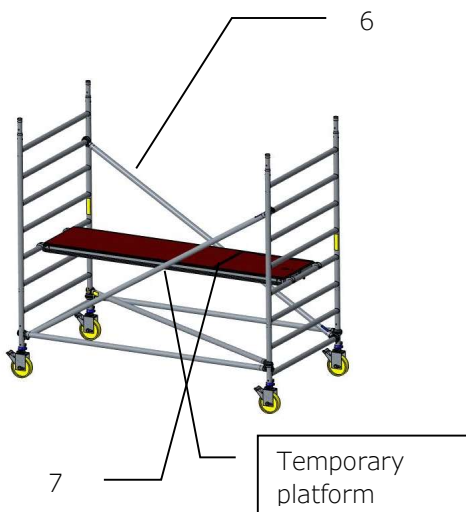
## 10. Assembling the wide mobile scaffold tower (3,5,7,9,11 m)



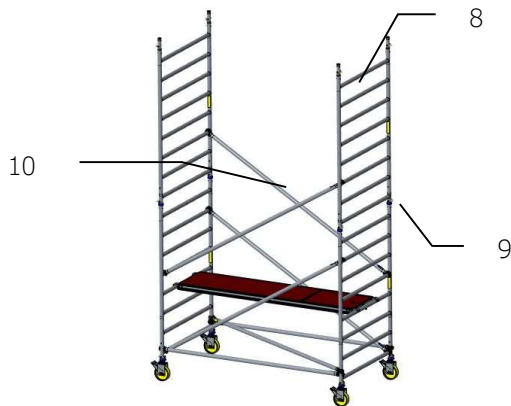
- 1: Insert both casters into the 8-rung frame; and make sure that the casters are properly secured;
- 2: Place the horizontal braces on the uprights of the frame;



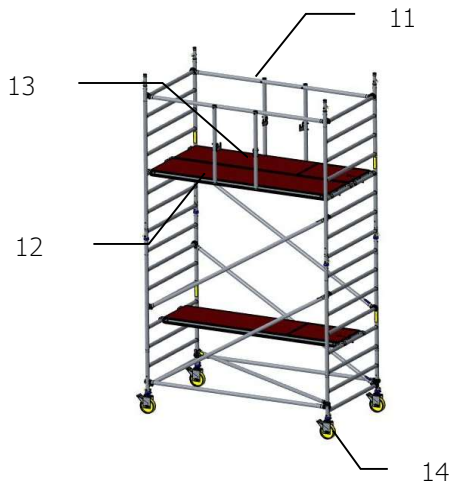
- 3: Insert both casters into the 8-rung frame; and make sure that the casters are properly secured;
- 4: Place the horizontal braces on the uprights of the frame;
- 5: Place the horizontal/diagonal brace;



- 6: Place both diagonal braces;
- 7: Place the (temporary) platform (on the 5<sup>th</sup> rung from the top); slide both blow-away protections under the rung;

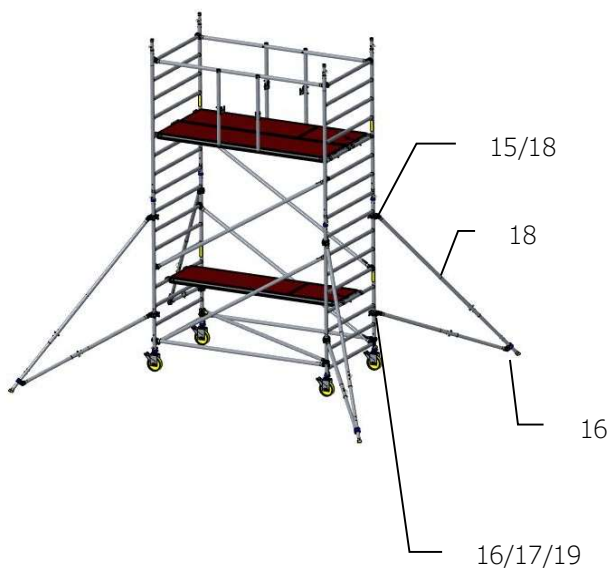


- 8: Place both 8-rung frames;
- 9: Place locking pins between the frames themselves;
- 10: Place both diagonal braces;

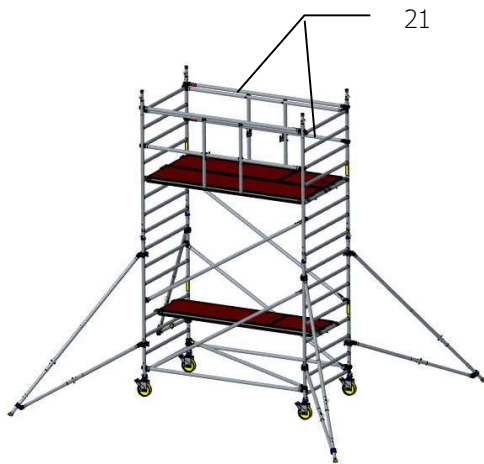


- 11: Place both Mobile Guard guardrail frames on the upper rung;
- 12: Place one platform with hatch (on the 5<sup>th</sup> rung from the top) on the façade side and the other platform without hatch on the other side
- 13: Slide both blow-away protections under the rung;
- 14: Lock the brakes and set the scaffold level by twisting the spindle nut of the casters;

*Now place the four (large or small) stabilizers:*

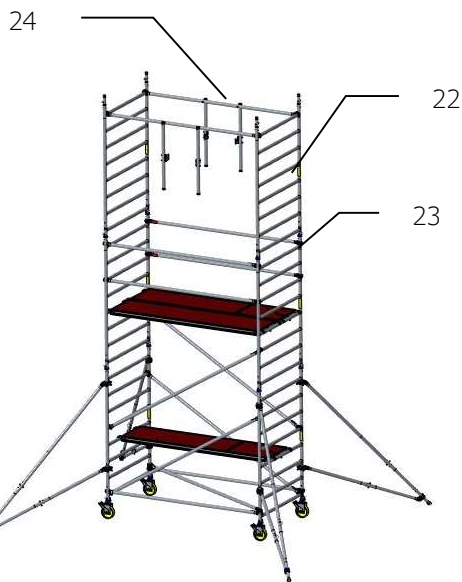


- 15: Place the upper coupler under the 6<sup>th</sup> or 7<sup>th</sup> rung at the small leg, 9<sup>th</sup> or 10<sup>th</sup> rung at the large leg;
- 16: Put the foot on the ground with observance of the designated basic form (see 4.4);
- 17: Make sure that the lower coupler falls between two rungs;
- 18: Rotate the stabilizer in such a way that the designated basic form (see 4.4) is maintained;
- 19: Tighten the lower coupler by hand on the upright and slide the coupler upwards over the upright so that the leg is slightly tensioned and slightly tighten both couplers;



20: Climb to the 3m. level through the hatch; sit down in the hatch and mount two knee rails on the 2<sup>nd</sup> rung and in the hooks of the Mobile Guardrails and move them slightly inwards.

21: Now you are allowed to stand on the platform where you put horizontal braces on the uprights just above the 2<sup>nd</sup> and 4<sup>th</sup> rung.



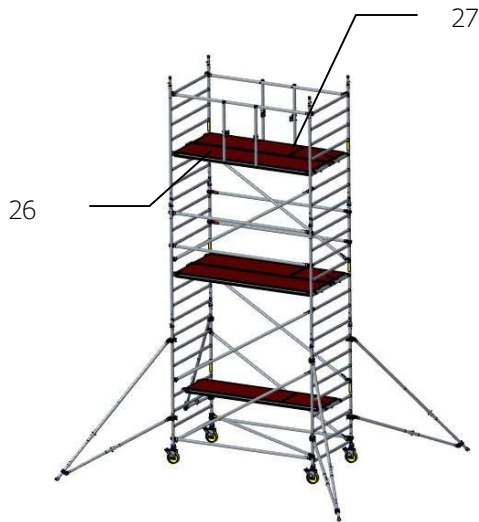
22: Place both 8-rung frames;

23: Place locking pins between the frames themselves;

24: Move the two Mobile Guards frames to the upper rung;



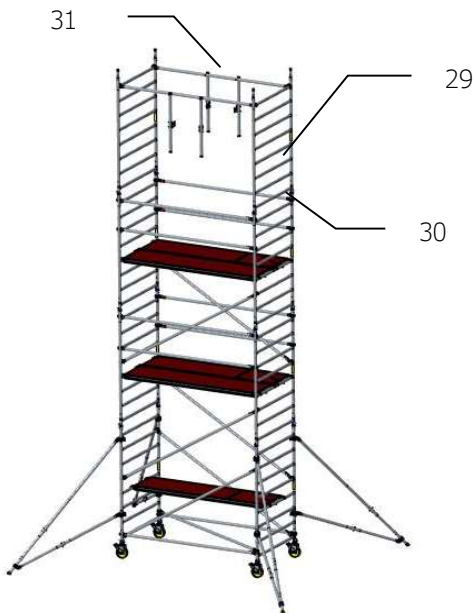
25: Place two diagonals;



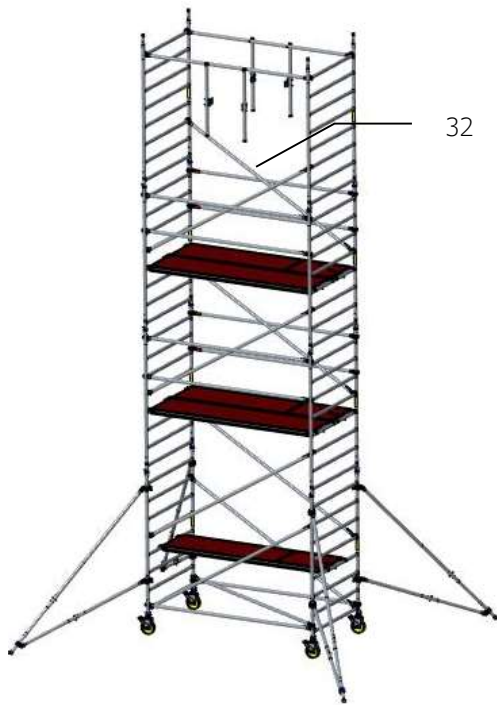
- 26: Place the platforms of which one with hatch (on the 5<sup>th</sup> rung from the top);
- 27: Slide both blow-away protections under the rung.



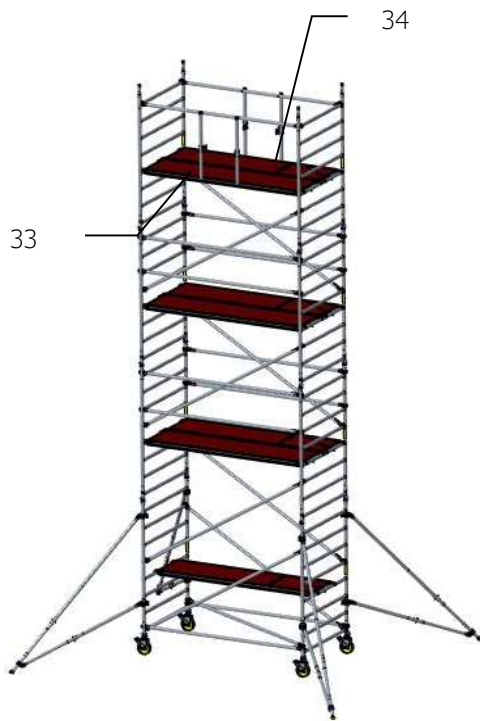
- 28: Climb to the next level through the hatch; sit down in the hatch and mount two knee rails on the 2<sup>nd</sup> rung and in the hooks of the Mobile Guardrails and move them slightly inwards. Now you are allowed to stand on the platform where you put horizontal braces on the uprights just above the 2<sup>nd</sup> and 4<sup>th</sup> rung.



- 29: Place both 8-rung frames;
- 30: Place locking pins between the frames themselves;
- 31: Move the two Mobile Guards frames to the upper rung;

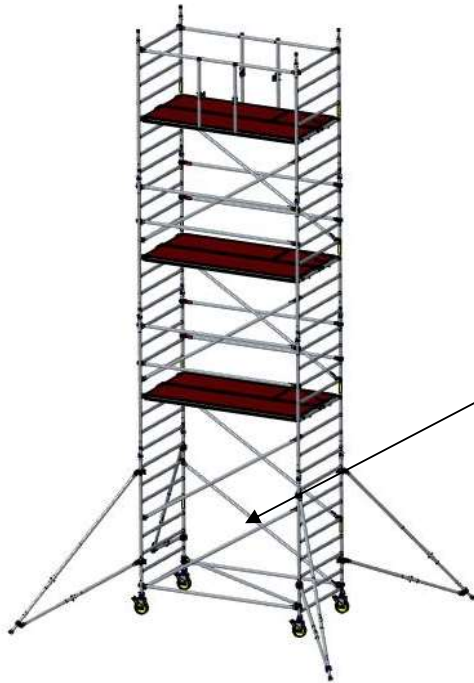


32: Place two diagonals;



33: Place the platforms of which one with hatch (on the 5<sup>th</sup> rung from the top);

34: Slide both blow-away protections under the rung.



35: Repeat steps 27 - 34 until the preferred level has been reached;

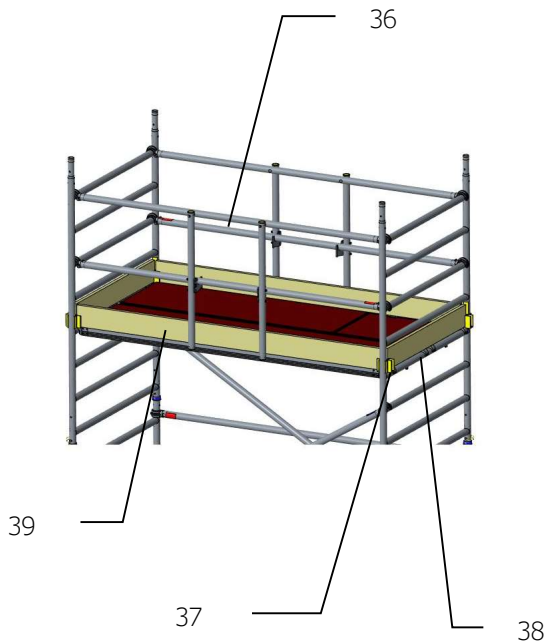
remove the temporary platform and use this one on the top level.

36: Climb to the next level through the hatch; sit down in the hatch and mount two knee rails on the 2<sup>nd</sup> rung and in the hooks of the Mobile Guardrails for permanent use. Now you are allowed to stand on the platforms.

37: Place the four toe board brackets;

38: Place both end toe boards;

39: Place both longitudinal toe boards;



The above shows the assembly of the freestanding mobile scaffold tower. If the mobile scaffold tower is placed against the façade (with a distance between façade and platform not greater than 15 cm), the edge protection (guardrail at hip height, knee railing and toe board) on the façade side may be omitted.

Attention: when building up a 3 m. platform height scaffolding, it is practical to add an extra temporary platform to the assembly.

## 11. Information to be displayed

After assembly or alteration the following minimum information shall be displayed on the mobile access and working tower and be clearly visible from the ground (e.g. on a tag):

- the name and contact details of the responsible person;
- if the tower is ready for application or not;
- the load class and the uniformly distributed load;
- if the mobile access and working tower is intended for indoor use only;
- date of assembly

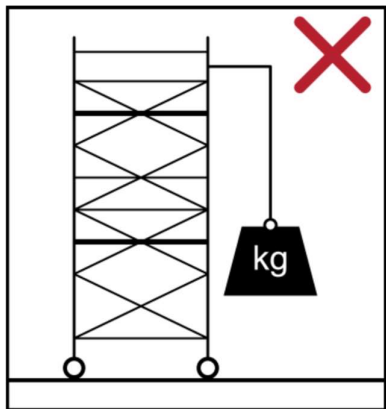
## 12. Safe use of the mobile scaffold tower

Prior to each use, you should check that:

- the base (e.g. the stabilizers, casters) of the mobile scaffold tower is correct;
- the total construction is correct and complete;
- there are changes in circumstances, that may affect the safe use of the scaffold.

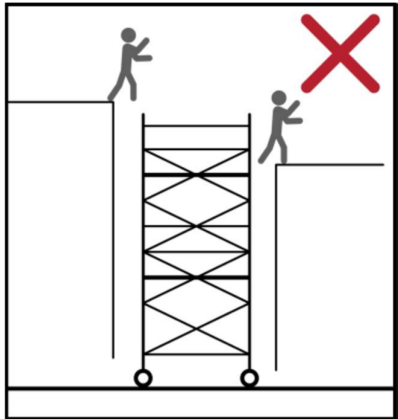
A mobile scaffold tower is intended to provide access to a workplace.

- Do not lift heavy equipment from the tower.



- Mobile access and working towers in accordance with EN1004-1 are not designed to be used as a means to enter or exit other structures, e.g. as a stair tower:
  - It is also not allowed to use the scaffold as a hanging scaffold, for the application of cantilevered work floors or to use the scaffold to switch over to other constructions.
  - It is not allowed to make bridges between a mobile scaffold tower and a building.





It is not allowed to make bridges between a mobile scaffold tower, unless specifically calculated applications are used.

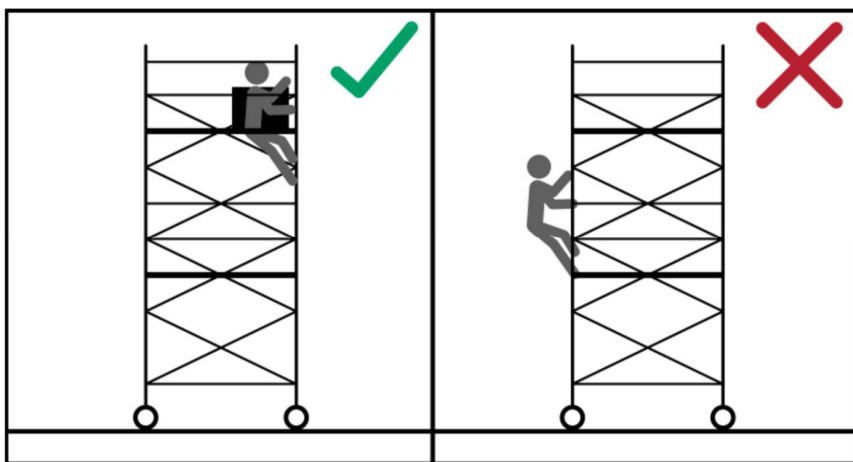
The maximum workload is 200 kg/m<sup>2</sup> (scaffolding class 3); only one level of maximum load per scaffolding may be used. The maximum uniformly distributed load on a working platform is 275 kg.

It is prohibited to jump on the platforms; the hatch of the platform must always be closed except when climbing or descending.

The maximum platform height is:

- inside: 12 metres
- outside: 8 metres

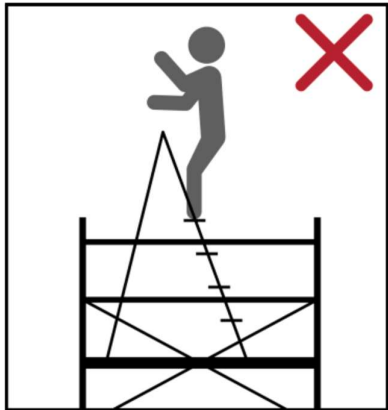
Do not climb the outside of the mobile access and working tower. The scaffold may only be climbed from the inside through the frames. Alternatively hanging ladders, ladder platforms or stairs can be used to gain height.



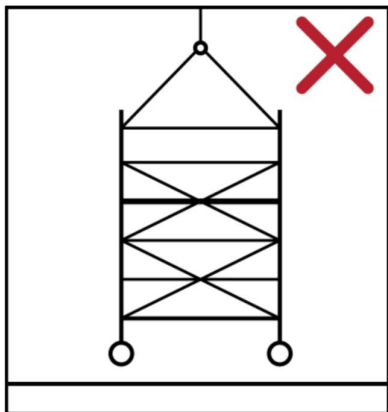
Take care that ladder platforms always have to be applied above a non-ladder platform or the ladder should be supported by the fixed part of the ladder platform underneath. The hatches of these platforms always have to be closed after use of the ladder. The design is as such, that the hatches close automatically.

For stairway towers we refer to the instruction manual specially made for this option.

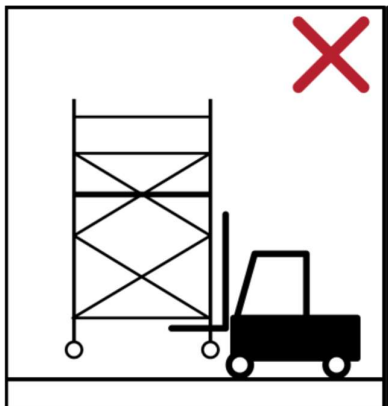
It is not allowed to extend the height of the platform by the use of ladders, boxes or other devices.



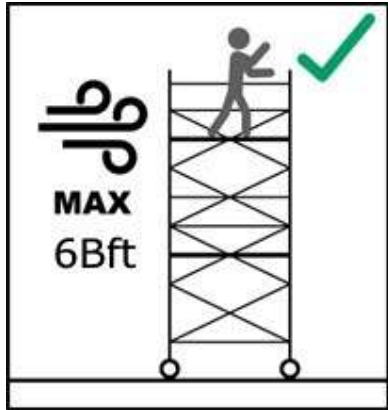
- Do not hoist or suspend the scaffold.



- Do not lift the tower with mechanical equipment



- It is prohibited to work on the scaffolding if the wind force is greater than 6 Beaufort (large branches move, umbrellas fold, the wind speed is 11 - 14 m/s = ± 45 km/h).



If the expected wind force is greater than 6 Beaufort the freestanding mobile scaffold tower must be either disassembled, or relocated to a wind-free zone, or be anchored. This should also be done, if the scaffold is not in use.

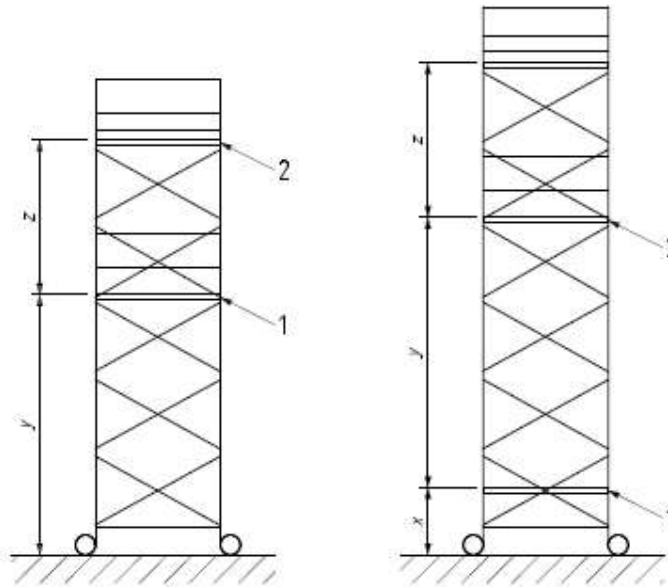
Warning: Be aware of openings in buildings, uncovered buildings and corners of buildings that may cause additional wind loads.

Caution: During the application of horizontal forces (e.g. drilling), which push the tower away from a structure; the maximum horizontal load is 30 kg.

- Horizontal braces, guardrails, knee railings and diagonal braces may not be used as steps.
- Mobile access and working towers are not designed to be sheeted: it is prohibited to attach wind-catching surfaces such as billboards or tarpaulins to freestanding scaffolds.
- The scaffold must not be exposed to aggressive liquids or gases.
- Mobile access and working towers in accordance with EN1004-1 are not designed to be used as a means of edge protection.

Distance between platforms shall not exceed 2,25 m. Exceptions are:

- the distance from the first platform to ground level: max 3,40 m
- If the first platform is at max 0,6 m to ground level, the distance to the second platform should not exceed 3,4 m

**Key**

x	≤ 0,6 m
y	≤ 3,40 m
z	≤ 2,25 m
1	first platform
2	second platform

**NOTE** Stabilizers are omitted from this figure for clarity.

### 13. Relocating the mobile scaffold tower

Procedure for relocating the mobile scaffold tower:

- Check the environment for obstacles that may be around the route that the mobile scaffold tower will follow. Make sure the surface is clean, check the route on potholes / unevenness / cables / irregularities / traffic / passers-by.
- Reduce the height to 6,3 m platform height maximum
- The maximal permitted slope is 1% ((1% = a maximum of 1 cm inclination measured per 1 metre)
- In the event of wind forces larger than 4 Beaufort the scaffold may no longer be relocated (4 Beaufort: dust, sand and paper will be blown up, small branches will be torn off; the wind speed is 5.5 - 7.9 m/s = ±20 - 28 km/h).
- Do not move the tower with people or materials on it
- For stability reasons it is strongly advised to roll lengthways by hand from the ground and do not exceed normal walking speed

- For safety reasons it is strongly advised to mount the outriggers with the supporting points a few centimeters above the ground, once the scaffold on its new location, put on the brakes and put the supporting points on the ground again

## 14. Anchoring

Anchors are to be used when

- outriggers or stabilizers cannot be positioned correctly;
- the scaffold has a platform height of more than 8 m in case of outdoor use;
- extreme weather conditions with strong wind.

The anchors have to be solid and must be attached to both frame-posts by couplers suitable for the 51mm tubes and preferably with butterfly nuts.

Anchor only to a resistant and durable spot onto a construction or building.

Attach at least every 4 m height at least 2 anchors (one per 8-rung frame)

## 15. Dismantling

Dismantling should be done in reversed order and the Mobile Guard has to be used too. Start on top and work downwards to the base. Do not throw with parts.

## 16. Maintenance

All parts, particularly the pivoting parts and weldings, must be inspected on a regular basis and at least once per year.

Missing and defective parts should be replaced.

Scaffolding parts are not allowed to be used in the following cases:

- When round tubes have one or more dull dents with a depth of more than 3 mm;
- When round tubes have one or more dents directly next to a welding junction regardless of depth or shape of the dent;
- When square or rectangular tubes have one or more full dents with a depth of more than 2 mm;
- When round or square tubes have one or more sharp dents or cracks regardless of length, depth or location of these dents or cracks.

Pivoting parts and castor wheels for example must be clean and run smoothly.

Repairs are only possible in consultation with the manufacturer.



## 17. Composition tables

The tables below indicates which components are required for assembling a scaffold up to a certain height. Make sure that these components are present.

Composition table Custers Handy / CR 0.7m, freestanding, available in lengths 1.8m / 2.50m / 3.10m(Handy only)

			Working height [m]																				
			Platform height [m]																				
			4	5	6	7	8	9	10	11	12	13	14										
			2	3*	4	5	6	7	8	9	10	11	12										
Description	Part number	Kg																					
8-Rung frame 700	9501.200.012(CR)	8,5	2	4	4	6	6	8	8	10	10	12	12										
4-Rung frame 700	9501.200.022(CR)	4,8	2	0	2	0	2	0	2	0	2	0	2										
Locking pin	9501.410.162	0,06	4	4	8	8	12	12	16	16	20	20	24										
Toe board 700	9501.200.092	1,2	2	2	2	2	2	2	2	2	2	2	2										
Toe board bracket	9501.800.087	0,2	4	4	4	4	4	4	4	4	4	4	4										
Caster + spindle rubber	9501.510.010	7,2																					
Caster + spindle plastic	9501.510.050	6,5	4	4	4	4	4	4	4	4	4	4	4										
Caster + spindle plastic CR	9501.510.065	4,8																					
			<b>Length 1,8m</b>				<b>Length 2,5m</b>				<b>Length 3,05m</b>												
Description	Part number	Kg	Part number	Kg	Part number	Kg																	
Handy platform with hatch wood	9501.310.015	12,3	9501.310.025	20,4	9501.310.035	25,3																	
CR platform with hatch wood	9501.316.015	12,3	9501.316.025	16,3																			
Handy platform with hatch plastic	9501.311.015	11,9	9501.311.025	15,3	9501.311.035	17,7	1	1	2	2	3	3	4	4	5	5	6						
Horizontal	9501.200.058(CR)	2,0	9501.200.030(CR)	2,7	9501.200.040	3,2	4	4	8	8	12	12	16	16	20	20	24						
Diagonal	9501.200.043(CR)	2,5	9501.200.056(CR)	3,1	9501.902.056	3,6	2	4	4	6	6	8	8	10	10	12	12						
Mobile Guard	9501.800.180	4,7	9501.800.250	5,3	9501.800.310	5,8	2	2	2	2	2	2	2	2	2	2	2						
Toe board longitudinal side	9501.200.086	2,5	9501.200.080	4,9	9501.902.080	6,2	2	2	2	2	2	2	2	2	2	2	2						
Horizontal/diagonal	9501.200.048(CR)	2,1	9501.200.052(CR)	2,8	9501.200.054	3,3	1	1	1	1	1	1	1	1	1	1	1						
<b>ONLY INDOOR USE</b>																							
Outrigger small	9501.410.100 9501.430.200	6,6												4	4	4	4						
Outrigger large	9501.420.100 9501.430.210	9,4														4	4	4	4	4	4		
<b>INDOOR / OUTDOOR USE</b>																							
Outrigger small	9501.410.100 9501.430.200	6,6												4	4	4	4						
Outrigger large	9501.420.100 9501.430.210	9,4															4	4	4	x	x	x	x

X = outside use prohibited, unless anchored.

Note: the table is based on a working level at the indicated platform height, fitted with guardrails, knee railings, toe boards and resting levels on each 2 meter the height fitted with guardrails and knee railings. To convert a rest level into a working level you need: 4 x toe board bracket, 2 x toe board longitudinal side and 2 x toe board 700.



Composition table Custers Handy / CR 1.3m, freestanding, available in lengths 1.8m / 2.50m / 3.10m(Handy only)

			Working height [m]																					
			Platform height [m]																					
Description	Part number	Kg	4	5	6	7	8	9	10	11	12	13	14	2	3*	4	5	6	7	8	9	10	11	12
8-Rung frame 1300	9501.200.010(CR)	12,5												2	4	4	6	6	8	8	10	10	12	12
4-Rung frame 1300	9501.200.020(CR)	6,6												2	0	2	0	2	0	2	0	2	0	2
Locking pin	9501.410.162	0,06												4	4	8	8	12	12	16	16	20	20	24
Toe board 1300	9501.200.090	2,8												2	2	2	2	2	2	2	2	2	2	2
Toe board bracket	9501.800.087	0,2												4	4	4	4	4	4	4	4	4	4	4
Caster + spindle rubber	9501.510.010	7,2												4	4	4	4	4	4	4	4	4	4	4
Caster + spindle plastic	9501.510.050	6,5																						
Caster + spindle plastic CR	9501.510.065	4,8																						
	<b>Length 1,8m</b>		<b>Length 2,5m</b>		<b>Length 3,05m</b>																			
Description	Part number	Kg	Part number	Kg	Part number	Kg																		
Handy platform wood	9501.310.010	14,7	9501.310.020	19,9	9501.310.030	24																		
CR platform wood	9501.316.010	11,8	9501.316.020	16,3			1	1	2	2	3	3	4	4	5	5	6							
Handy platform plastic	9501.311.010	11,2	9501.311.020	14	9501.311.030	18																		
Handy platform with hatch wood	9501.310.015	12,3	9501.310.025	20,4	9501.310.035	25,3																		
CR platform with hatch wood	9501.316.015	12,3	9501.316.025	16,3			1	1	2	2	3	3	4	4	5	5	6							
Handy platform with hatch plastic	9501.311.015	11,9	9501.311.025	15,3	9501.311.035	17,7																		
Horizontal	9501.200.058(CR)	2,0	9501.200.030(CR)	2,7	9501.200.040	3,2	4	4	8	8	12	12	16	16	20	20	24							
Diagonal	9501.200.043(CR)	2,5	9501.200.056(CR)	3,1	9501.902.056	3,6	2	4	4	6	6	8	8	10	10	12	12							
Mobile Guard	9501.800.180	4,7	9501.800.250	5,3	9501.800.310	5,8	2	2	2	2	2	2	2	2	2	2	2							
Toe board longitudinal side	9501.200.086	2,5	9501.200.080	4,9	9501.902.080	6,2	2	2	2	2	2	2	2	2	2	2	2							
Horizontal/diagonal	9501.200.049(CR)	2,4	9501.200.050(CR)	3,0	9501.902.050	3,5	1	1	1	1	1	1	1	1	1	1	1							
<b>ONLY INDOOR USE</b>		Kg																						
Outrigger small	9501.410.100 9501.430.200	6,6					4	4	4	4	4	4	4	4	4	4	4							
Outrigger large	9501.420.100 9501.430.210	9,4																					4	
<b>INDOOR / OUTDOOR USE</b>		Kg																						
Outrigger small	9501.410.100 9501.430.200	6,6					4	4	4	4					x	x	x	x						
Outrigger large	9501.420.100 9501.430.210	9,4									4	4	4	x	x	x	x							

X = outside use prohibited, unless anchored.

Note: the table is based on a working level at the indicated platform height, fitted with guardrails, knee railings, toe boards and resting levels on each 2 meter the height fitted with guardrails and knee railings. To convert a rest level into a working level you need: 4 x toe board bracket, 2 x toe board longitudinal side, 2 x toe board 700 and 2 x attachment for toe board bracket (9501800080).



Custers Hydraulica B.V.  
Smakterweg 33  
5804 AE Venray  
Nederland

Tel. +31 (0) 47 85 53 000  
E-mail: [info@custers.nl](mailto:info@custers.nl)  
Website: [www.custers.nl](http://www.custers.nl)